

Owner's Manual

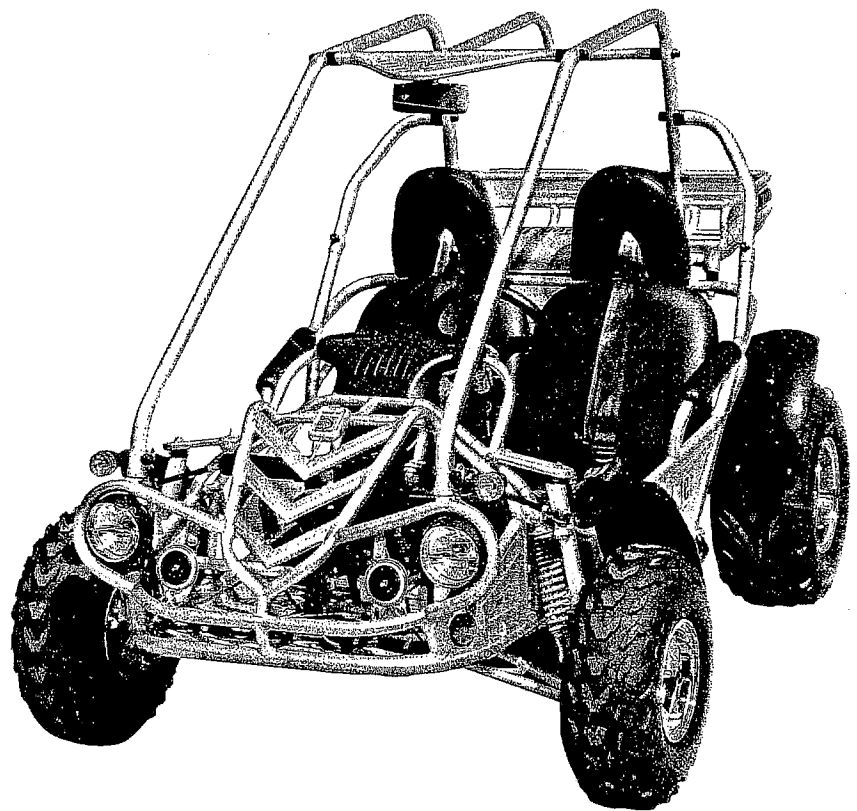
Parts Manual

Twister
Hammerhead

**READ THIS MANUAL CAREFULLY,
IT CONTAINS IMPORTANT SAFETY INFORMATION.**

UM150TR

**MINIMUM
RECOMMENDED
OPERATOR AGE: 16**



FOR OFF-ROAD USE ONLY

This vehicle is designed and manufactured for off-road use only. It does not conform to Federal Motor Vehicle Safety Standards, and in regard to operation on public streets, roads, or highways it is illegal.

UM150IIR Limited Warranty

The warranty policy applies to those cases where the new seller vehicle unloaded from its shipping container, set up and delivered by an authorized dealer, and under normal use and service is found to have defects in parts or workmanship under the following terms and conditions. This warranty covers the kart and engine related components for a period of 90 days.

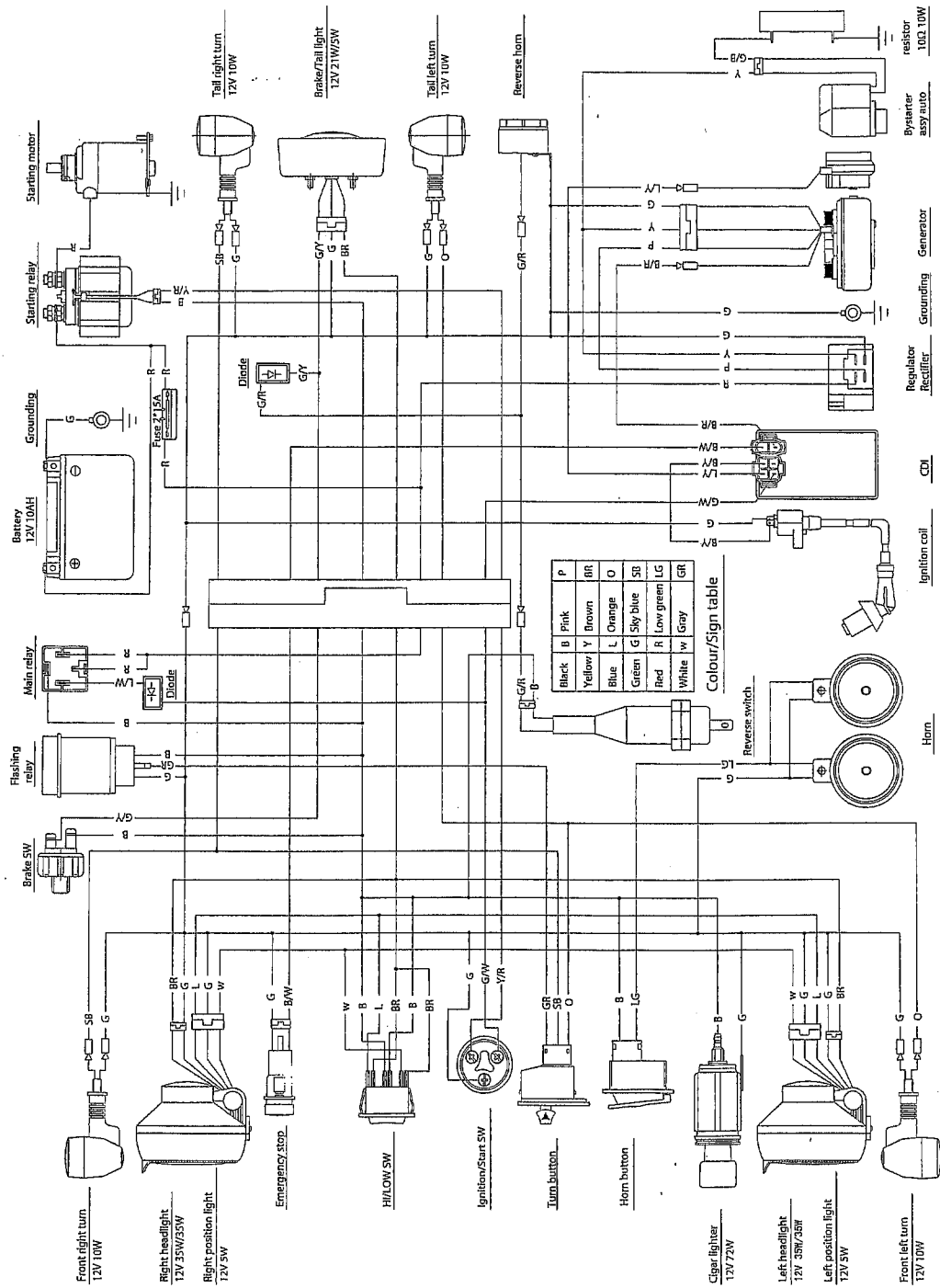
This warranty does not apply to any part, which in opinion of seller was defective because of improper maintenance, improper assembly, alterations, abuse, negligence or accident.

Should warranty service be required on your UM150IIR during the 90 days warranty period, please contact your nearest authorized dealer for repairs.

What is not covered under this warranty

Misuse, Negligence, Alterations, Accidents or any abnormal use including non Genuine parts, renting or leasing, competition or racing. This warranty does not cover loss of use of the unit or loss of time, or inconvenience or normal wear and deterioration caused by the use or storage of consumable items such as spark plugs, chain, brake shoes, fuses, clutch plates, sprockets, light bulbs, battery and tires.

WIRING DIAGRAM



COMPONENT LOCATIONS

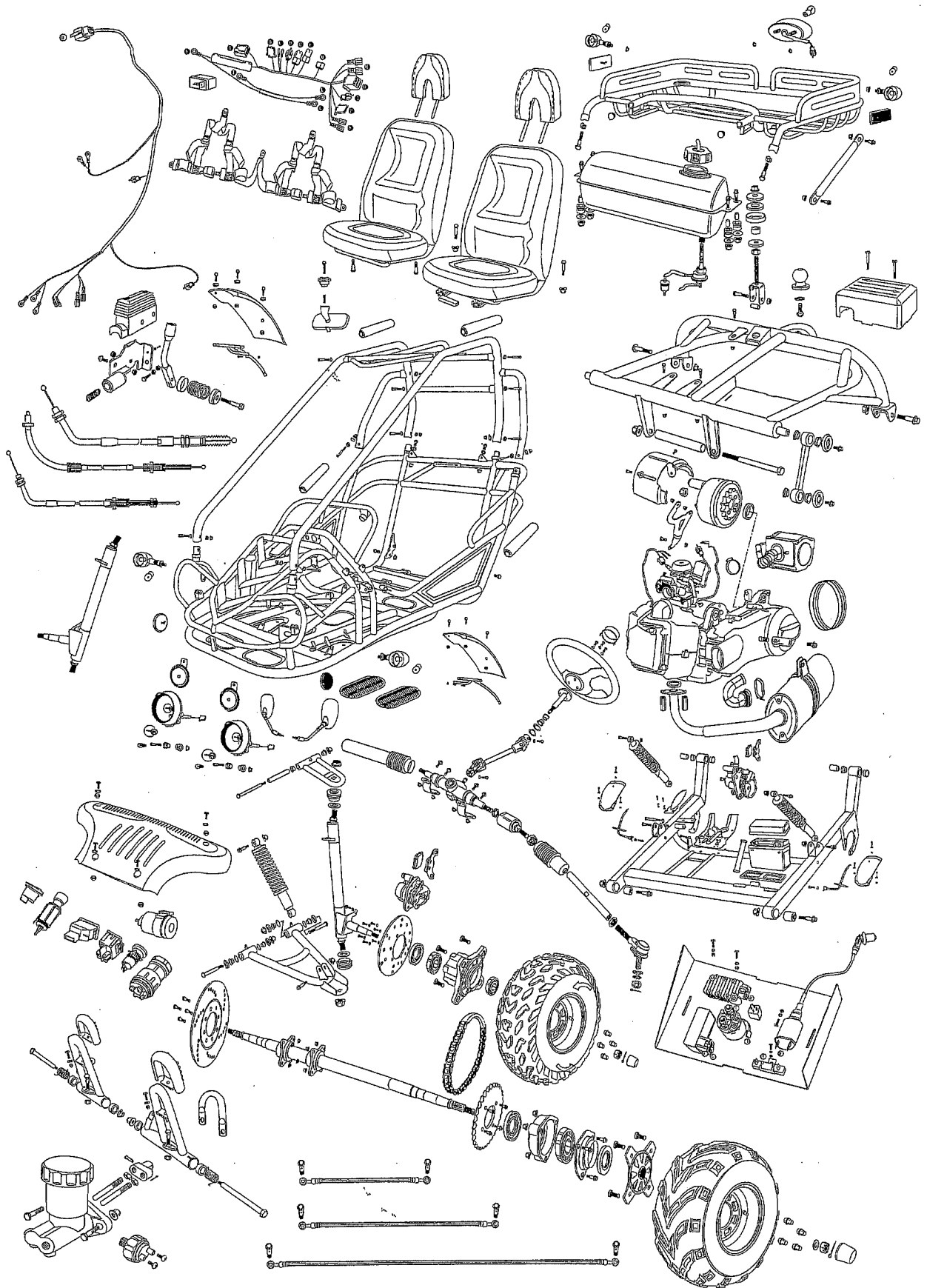
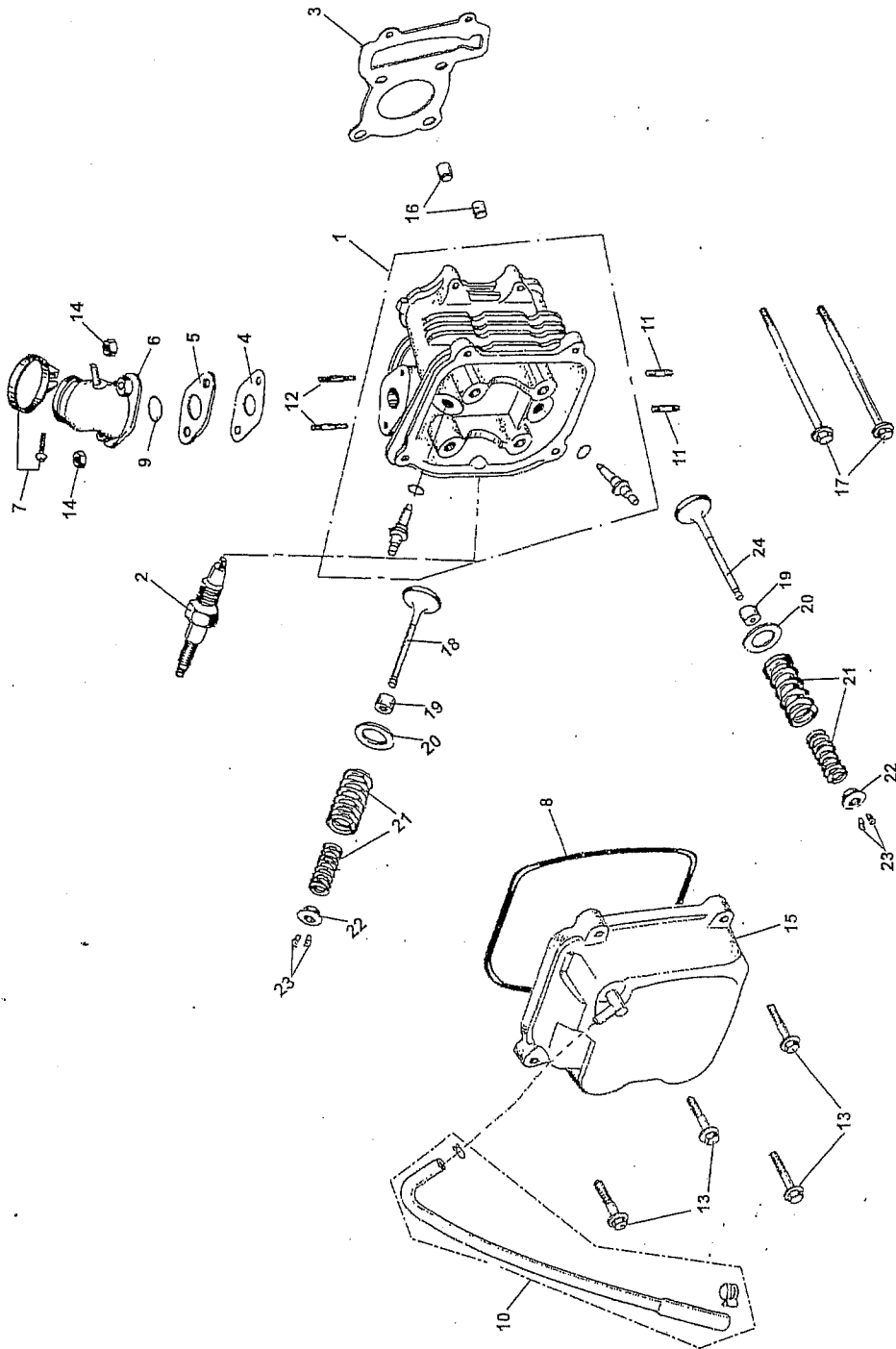


FIG. 1

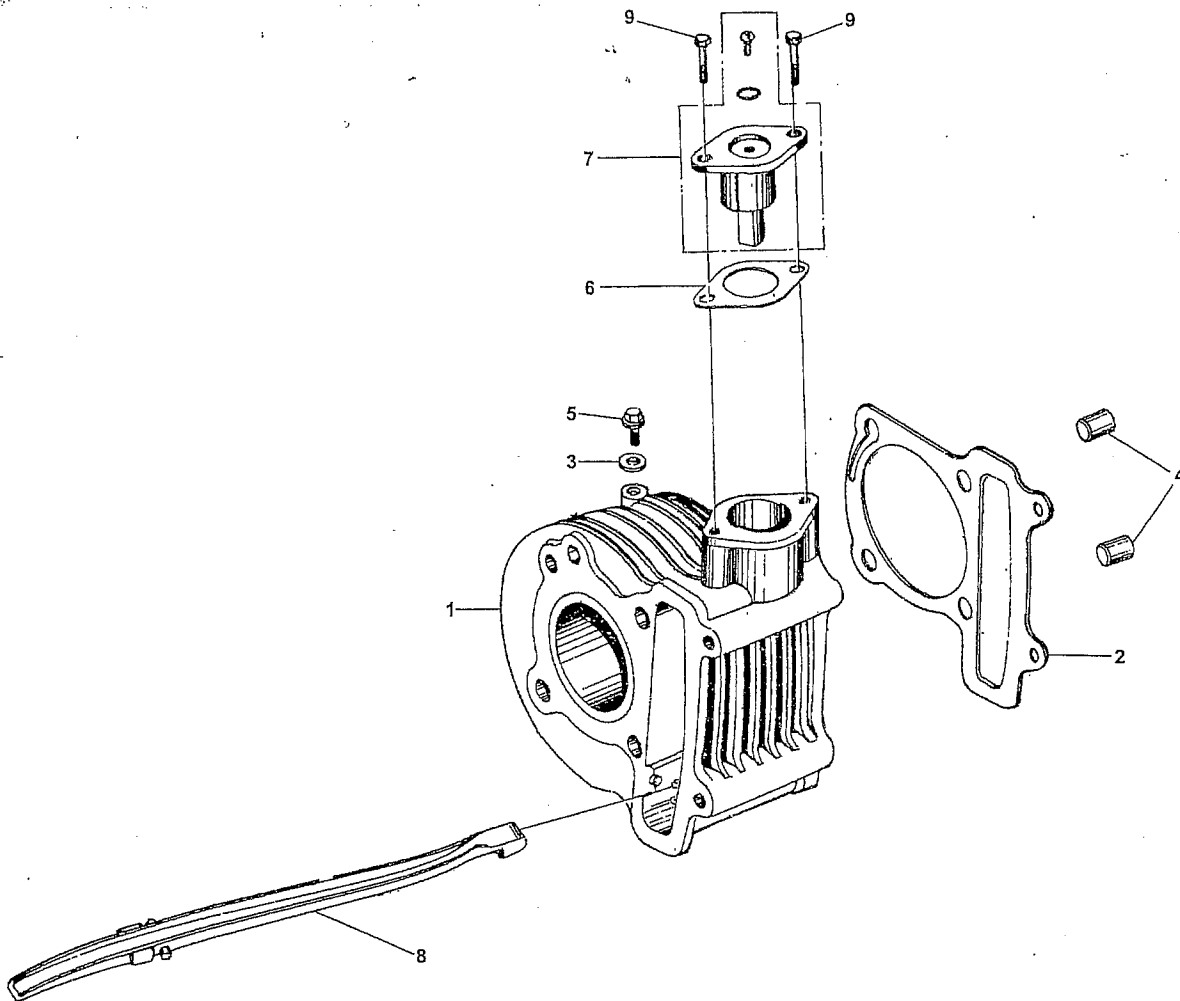
CYLINDER HEAD ASSY.



CYLINDER HEAD ASSY.

REF NO.	PART NO.	DESCRIPTION	REGD NO.
1	M150-100-1320	HEAD CYLINDER SUBASSY	1
2	98056-57713-00	PLUG SPARK(C7HSA NGK)	1
3	M150-1001010	GASKET CYLINDER HEAD	1
4	M150-1001004	GASKET CARBURETOR INSULATOR	1
5	M150-1001005	INSULATOR CARBURETOR	1
6	M150-1001210	PIPE COMP. IN	1
7	M150-1001220	BAND INSULATOR	1
8	M150-1001103	GASKET HEAD COVER	1
9	M150-1001201	O-RING 27X2	1
10	M150-1001001	TUBE BREATHER	1
11	M150-1001011	BOLT STUD M6X18	2
12	M150-1001006	BOLT STUD M6X50	2
13	M150-B-1003075	BOLT FLANGE M6X25	4
14	95500-06001-KAS	NUT FLANGE M6-ZN. D	2
15	M150-1001100	COVER COMP. CYLINDER HEAD	1
16	M150-1001007	PIN DOWEL 10X16	2
17	M150-1003007	BOLT FLANGE M6X100, CYLINDER HEAD	2
18	M150-1001301	VALVE, IN	1
19	M150-1001310	SEAL VALVE STEM	2
20	M150-1001302	SEAT VALVE SPRING OUTER	2
21	M150-1001303	SPRING VALVE OUTER, INNER	2
22	M150-1001305	RETAINER VALVE SPRING	2
23	M150-1001306	COTTER VALVE	4
24	M150-1001307	VALVE, EX	1

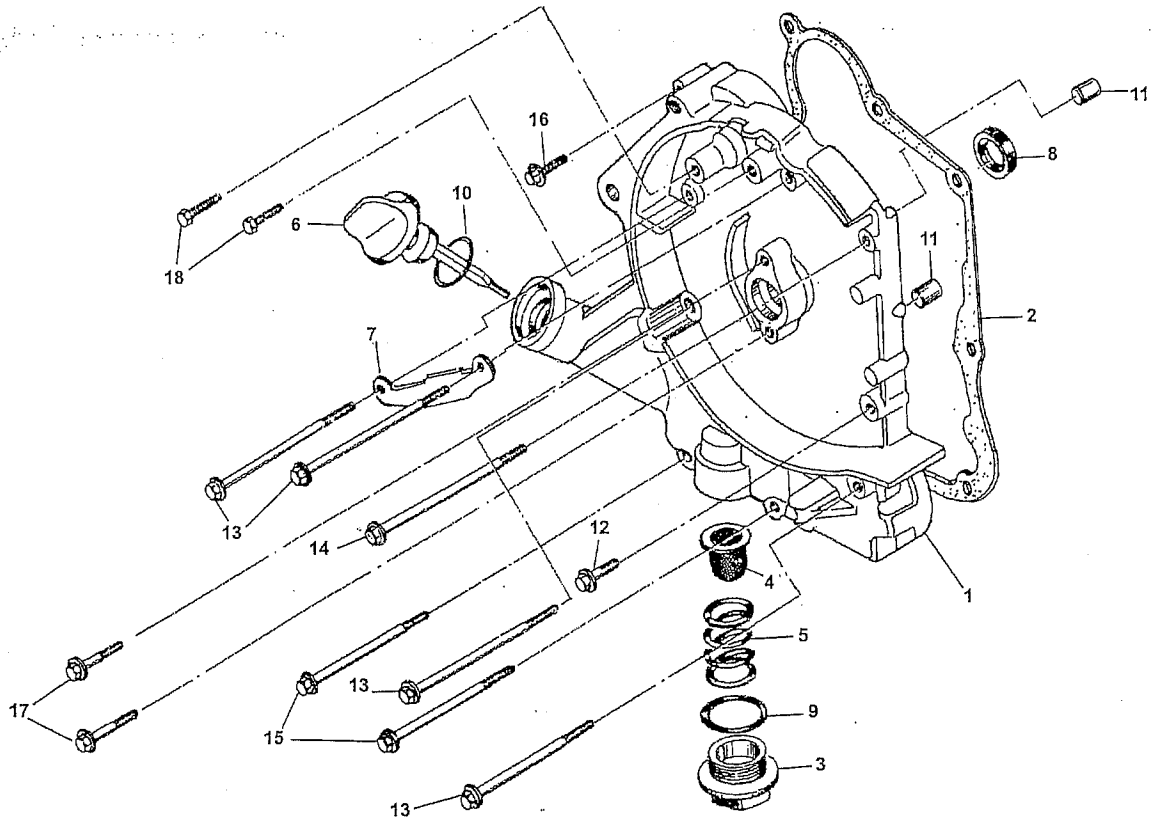
CYLINDER ASSY.



CYLINDER ASSY.

REF NO.	PART NO.	DESCRIPTION	REGD NO.
1	M150-1002200	CYLINDER COMP.	1
2	M150-1002001	GASKET CYLINDER	1
3	90442-06000-KAT	WASHER SEALING 6	1
4	M150-1001007	PIN DOWEL 10X16	2
5	96001-06012-KAT	BOLT FLANGE M6X12-ZN. D	1
6	M150-1002002	GASKET TENSIONER LIFTER	1
7	M150-1002100	LIFTER ASSY. TENSIONER	1
8	M150-1002300	GUIDE COMP. CAM CHAIN	1
9	96001-06020-KAT	BOLT FLANGE, 6X20	2

CRANKCASE ASSY. (1)

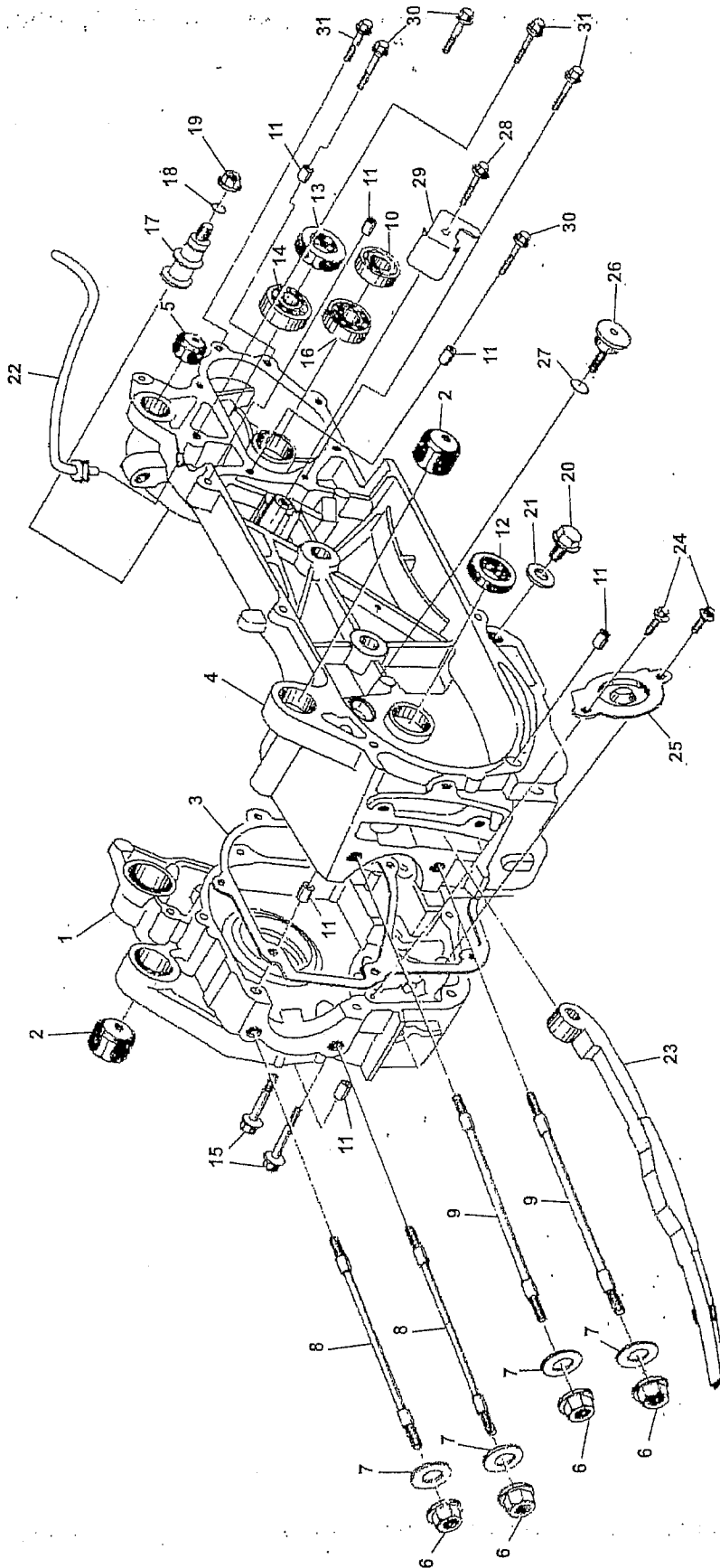


CRANKCASE ASSY.(1)

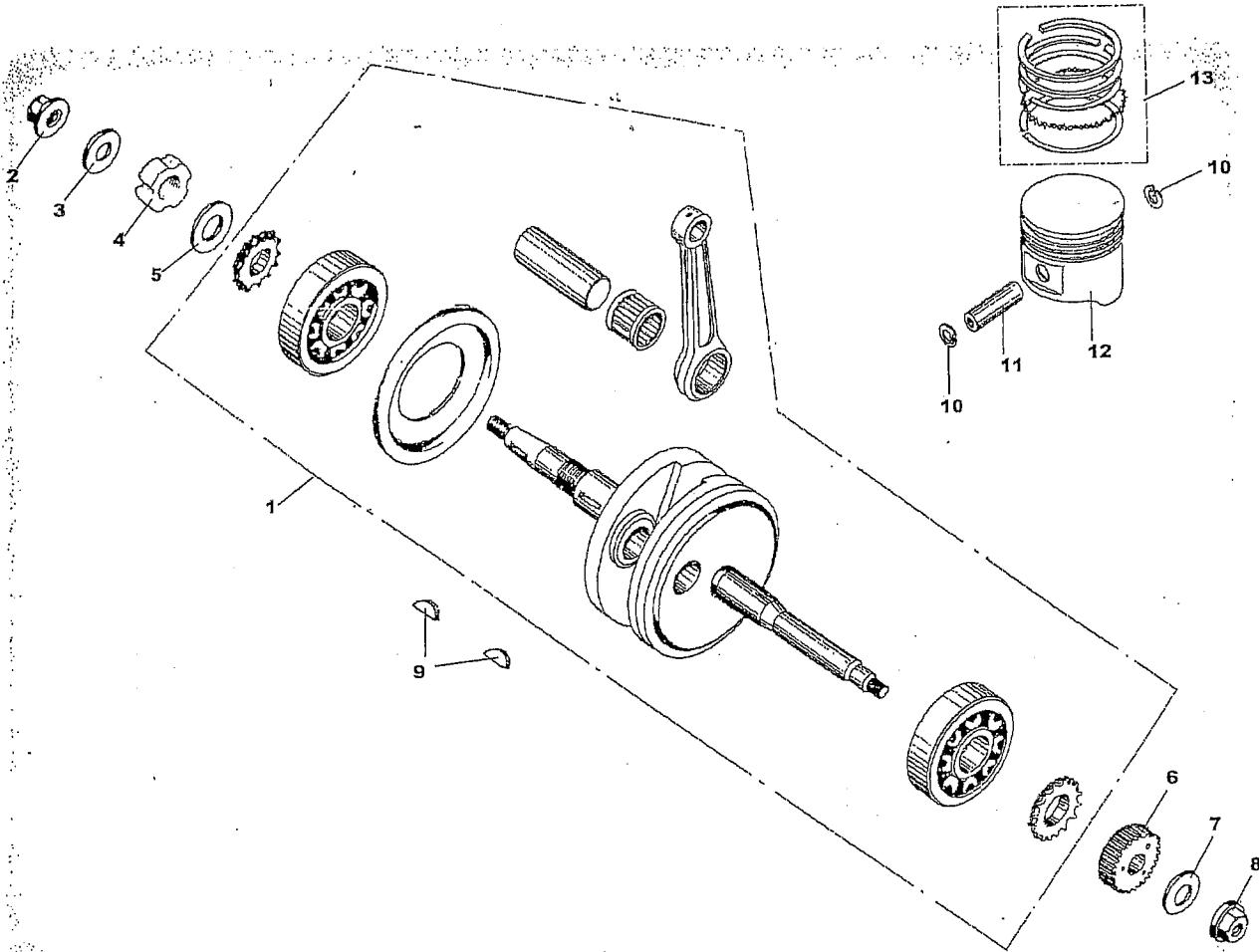
REF NO.	PART NO.	DESCRIPTION	REGD NO.
1	M150-1003101	COVER R CRANKCASE COMP.	1
2	M150-1003013	CRANKCASE COVER,GASKET	1
3	M150-1003104	CAP TAPPET ADJUSTING HOLE	1
4	M150-1003120	SCREEN OIL FILTING	1
5	M150-1003102	SRING OIL FILTING SCREEN	1
6	M150-1003105	GAUGE OIL LEVEL	1
7	M150-1003006	CLAMPER AC GENERATOR CORD	1
8	M150-1003110	OIL SEAL 19.8X30X5	1
9	M150-1003103	O-RING 30.8X3	1
10	M150-1003307	O-RING 18X3	1
11	M150-1003005	PIN DOWEL 8X14	2
12	96001-06032-KAT	BOLT FLANGE M6X28	1
13	M150-1003012	BOLT FLANGE M6X95	4
14	M150-1003007	BOLT FLANGE M6X100	1
15	M150-1003008	BOLT FLANGE M6X110	2
16	M150-1003034	BOLT FLANGE M6X35	1
17	M150-1003106	BOLT FLANGE M6X20	2
18	92101-05012-OH	BOLT HEX M5X12-ZN.D	2

FIG. 4

CRANKCASE ASSY. (2)



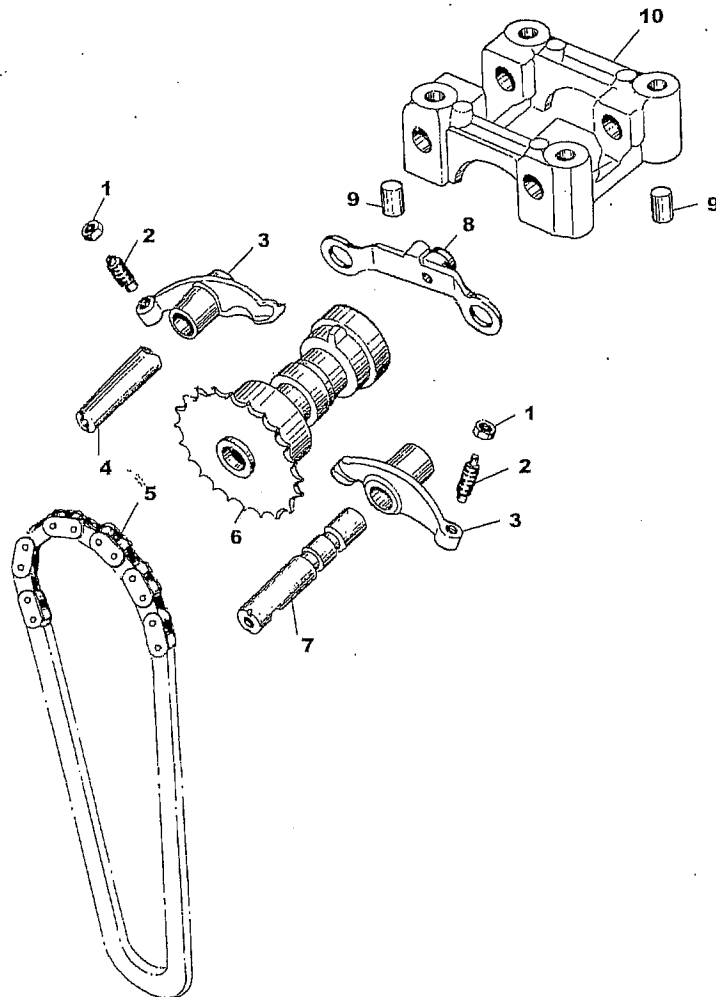
CRANKSHAFT CONROD & PISTON ASSY.



CRANKSHAFT CONROD & PISTON ASSY.

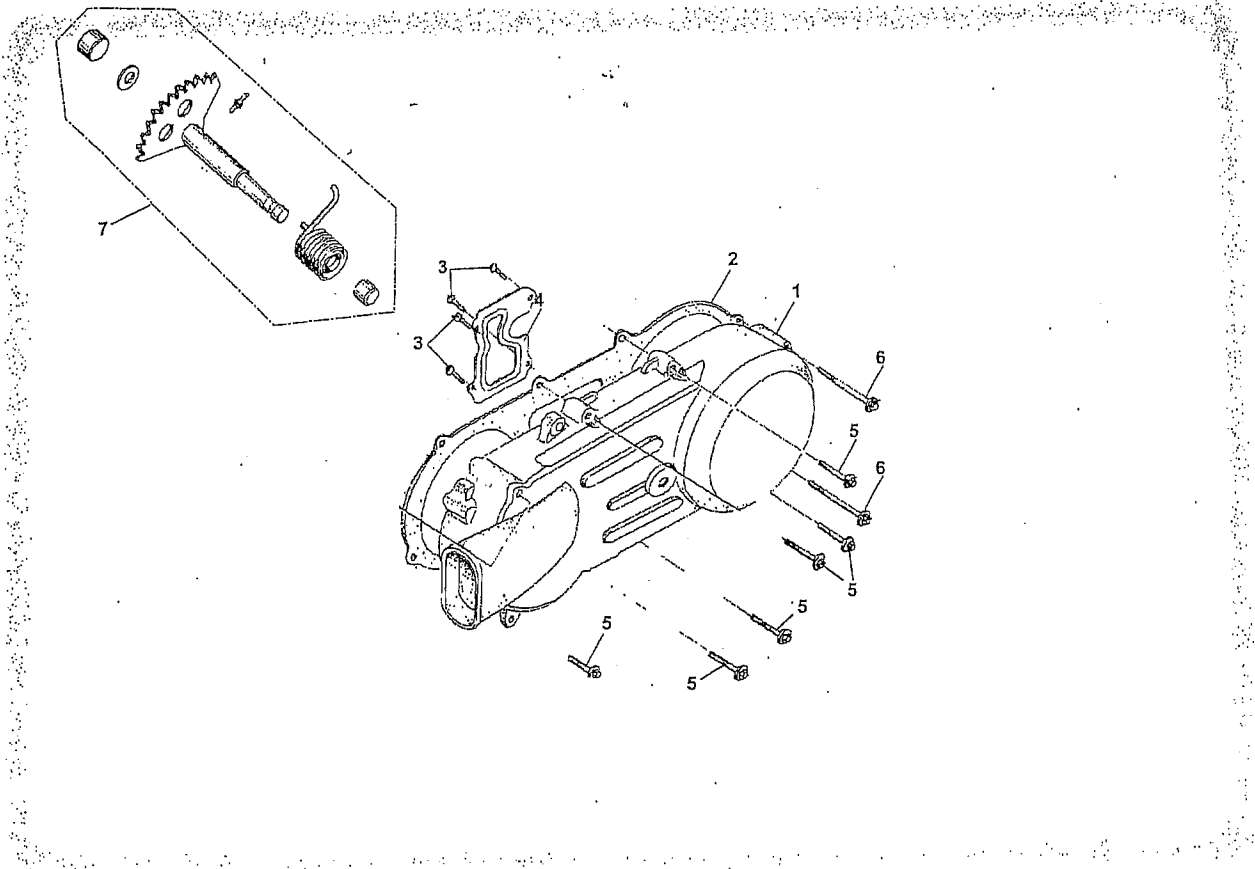
REF NO.	PART NO.	DESCRIPTION	REGD NO.
1	M150-1004100	CRANKSHAFT & CONROD ASSY.	1
2	M150-1004007	NUT M12X1.25	1
3	M150-1004011	WASHER 12-149HV 12-140HV	1
4	M150-1004009	NUT LOCK	1
5	M150-1004013	WASHER	1
6	M150-1004012	GEAR KICK DRIVE	1
7	M150-1040005	WASHER Ø12	1
8	M150-1004008	NUT M12	1
9	M150-1004002	KEY WOODRUFF	2
10	M150-1004003	CLIP PISTON PIN	2
11	M150-1004006	PIN PISTON	1
12	M150-1004001	PISTON	1
13	M150-1004200	PISTON RING SET	1

CAMSHAFT ASSY.



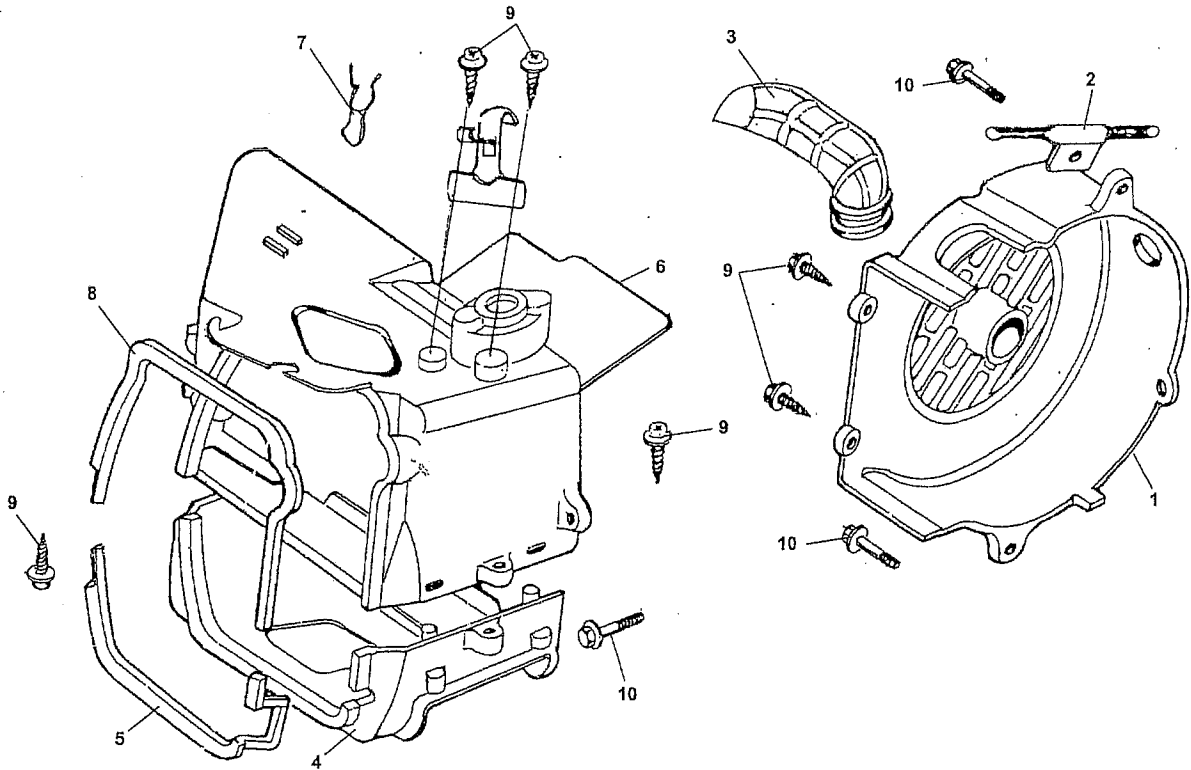
CAMSHAFT ASSY.			
REF NO.	PART NO.	DESCRIPTION	REGD NO.
1	M150-1005004	NUT TAPPET ADJUSTING	2
2	M150-1005003	SCREW TAPPET ADJUSTING	2
3	M150-1005002	ARM VALVE ROCKER	2
4	M150-1005005	SHAFT EX ROCKER ARM	1
5	M150-1005400	CHAIN CAMSHAFT,	1
6	M150-1005300	CAMSHAFT COMP. 16T	1
7	M150-1005200	SHAFT COMP. IN ROCK ARM	1
8	M150-1005100	PLATE COMP. STOPPER	1
9	M150-1001007	PIN DOWEL 10X16	2
10	M150-1005001	HOLDER CAMSHAFT	1

LEFT COVER ASSY.



LEFT COVER ASSY.				
REF NO.	PART NO.	DESCRIPTION	REGD NO.	
1	M150-1008101	COVER L	1	
2	M150-1008005	GASKET L COVER	1	
3	93903-00428-KAT	SCREW TAPPING ST4.2X8-F-H	4	
4	M150-1008102	PLATE L COVER	1	
5	M150-1003034	BOLT FLANGE M6X40	6	
6	M150-1008006	BOLT FLANGE M6X65	2	
7	M150-1008200	SPINDLE COMP. KICK STARTER ASSY.	1	

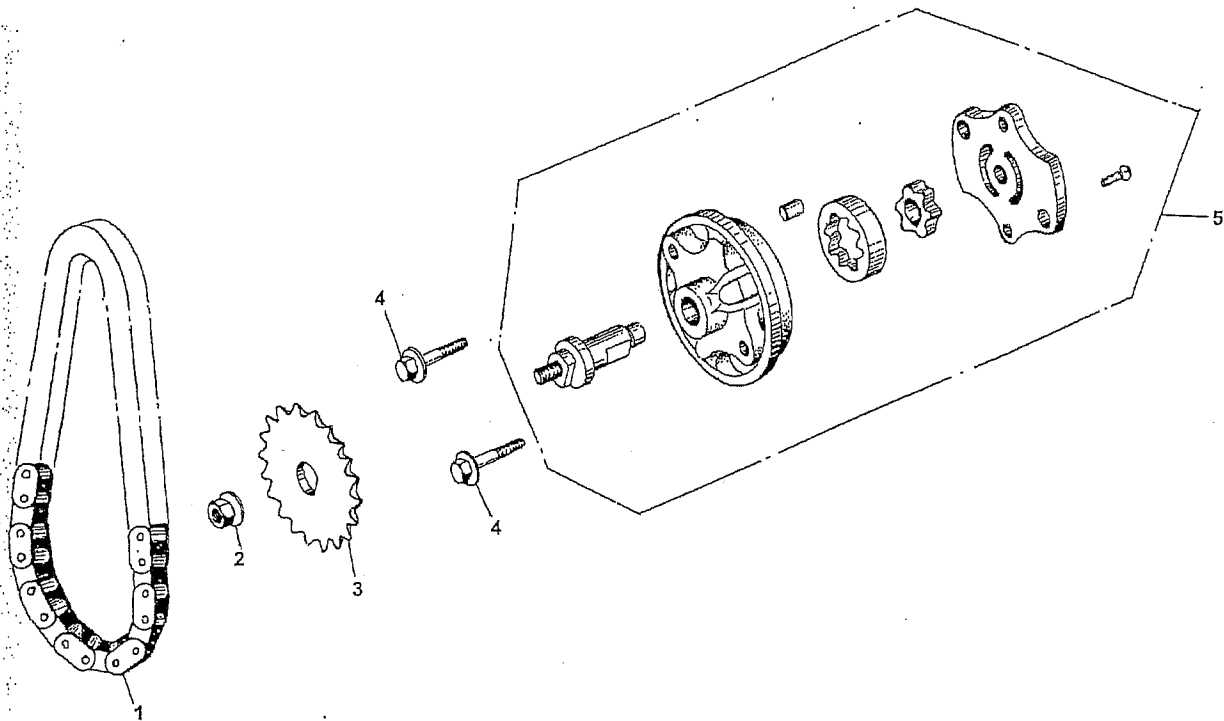
FAN COVER AND SHROUD ASSY.



FAN COVER AND SHROUD ASSY.

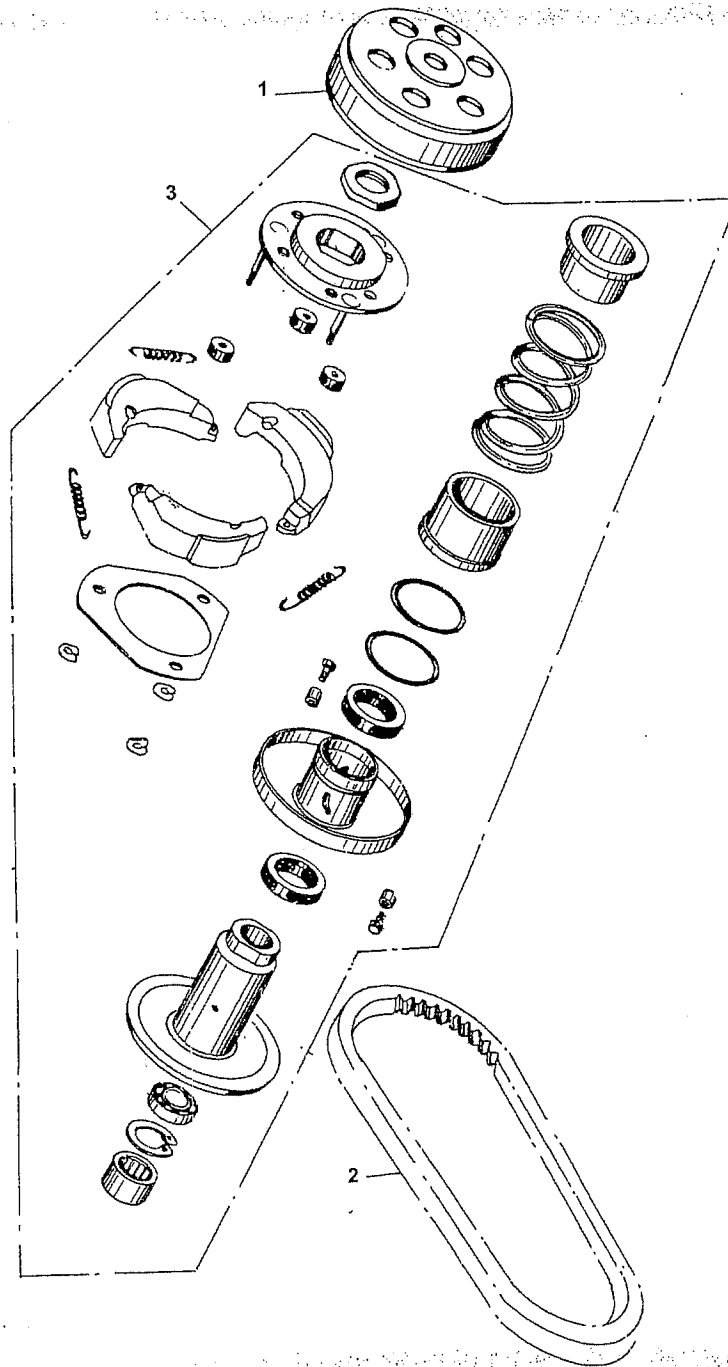
REF NO.	PART NO.	DESCRIPTION	REGD NO.
1	M150-1009410	COVER COMP. FAN	1
2	M150-1009002	CLAMPER STARTER CABLE	1
3	M150-1009401	DUCT CARBURETOR COOLING	1
4	M150-1009301	SHROUD LOWER	1
5	M150-1009302	SEAL SHROUD LOWER	1
6	M150-1009110	SHROUD COMP. UPPER	1
7	M150-1009103	CLIP HIGH TENSION CORD	1
8	M150-1009102	SEAL SHROUD UPPER	1
9	M150-1009402	SCREW ST4.8X16-F	6
10	M150-1003075	BOLT M6X25	3

OIL PUMP ASSY.



OIL PUMP ASSY.			
REF NO.	PART NO.	DESCRIPTION	REGD NO.
1	M150-1021000	CHAIN OIL PUMP	1
2	M150-1020002	NUT FLANGE M6	1
3	M150-1020001	SPROCKET OIL PUMP DRIVEN	1
4	M150-B-1003075	BOLT M6X25	2
5	M150-1022000	OIL PUMP SUB ASSY.	1

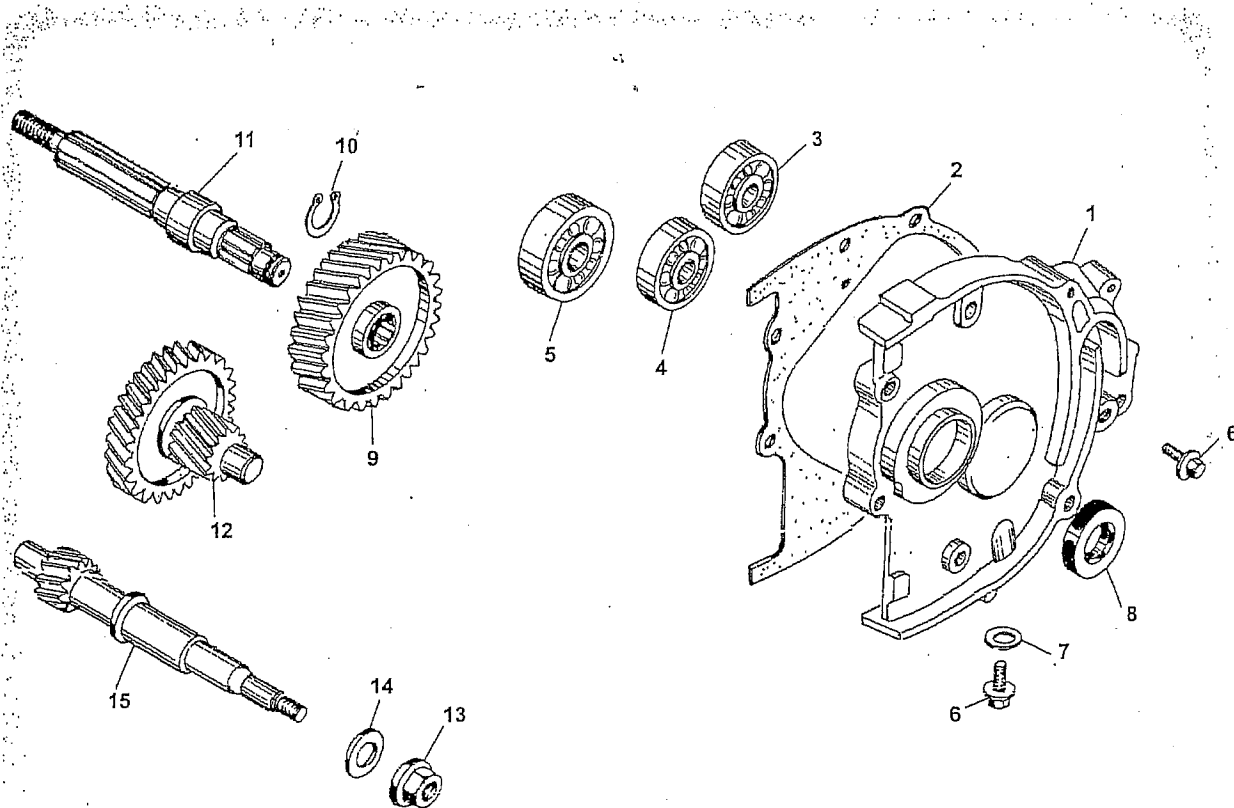
DRIVEN PULLEY AND CLUTCH SUBASSY.



DRIVEN PULLEY AND CLUTCH SUBASSY.

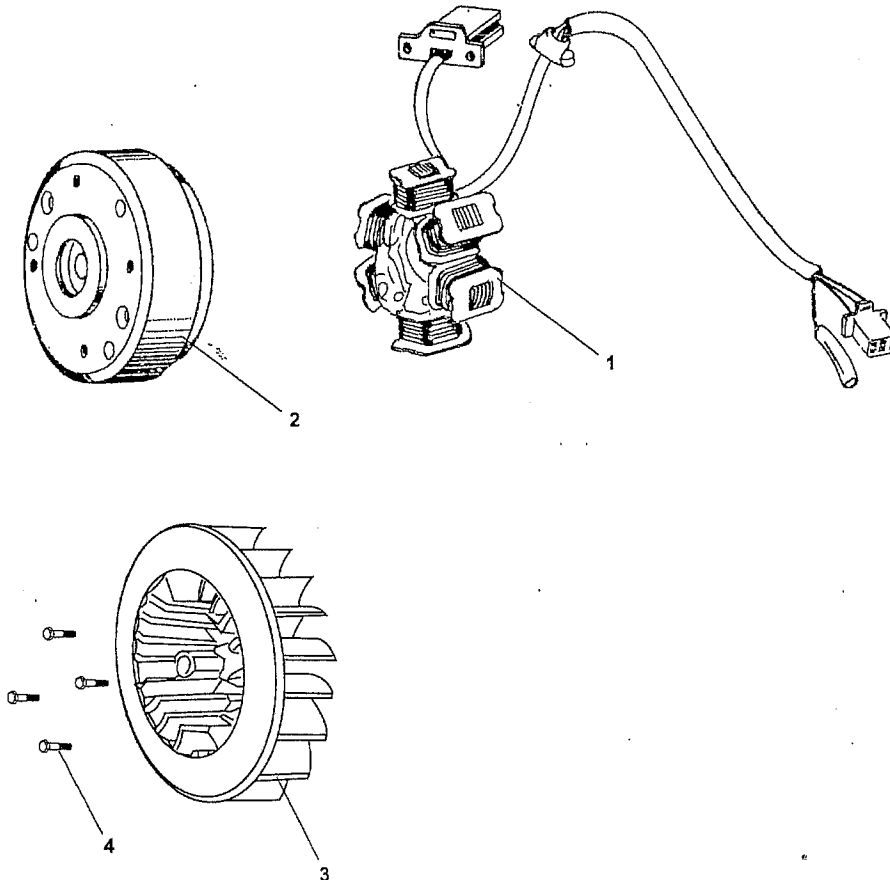
REF NO.	PART NO.	DESCRIPTION	REGD NO.
1	M150-1032000	OUTER CLUTCH ASSY.	1
2	M150-1033000	BELT DRIVE	1
3	M150-1031000	PULLEY ASSY. DRIVEN	1

TRANSMISSION ASSY.



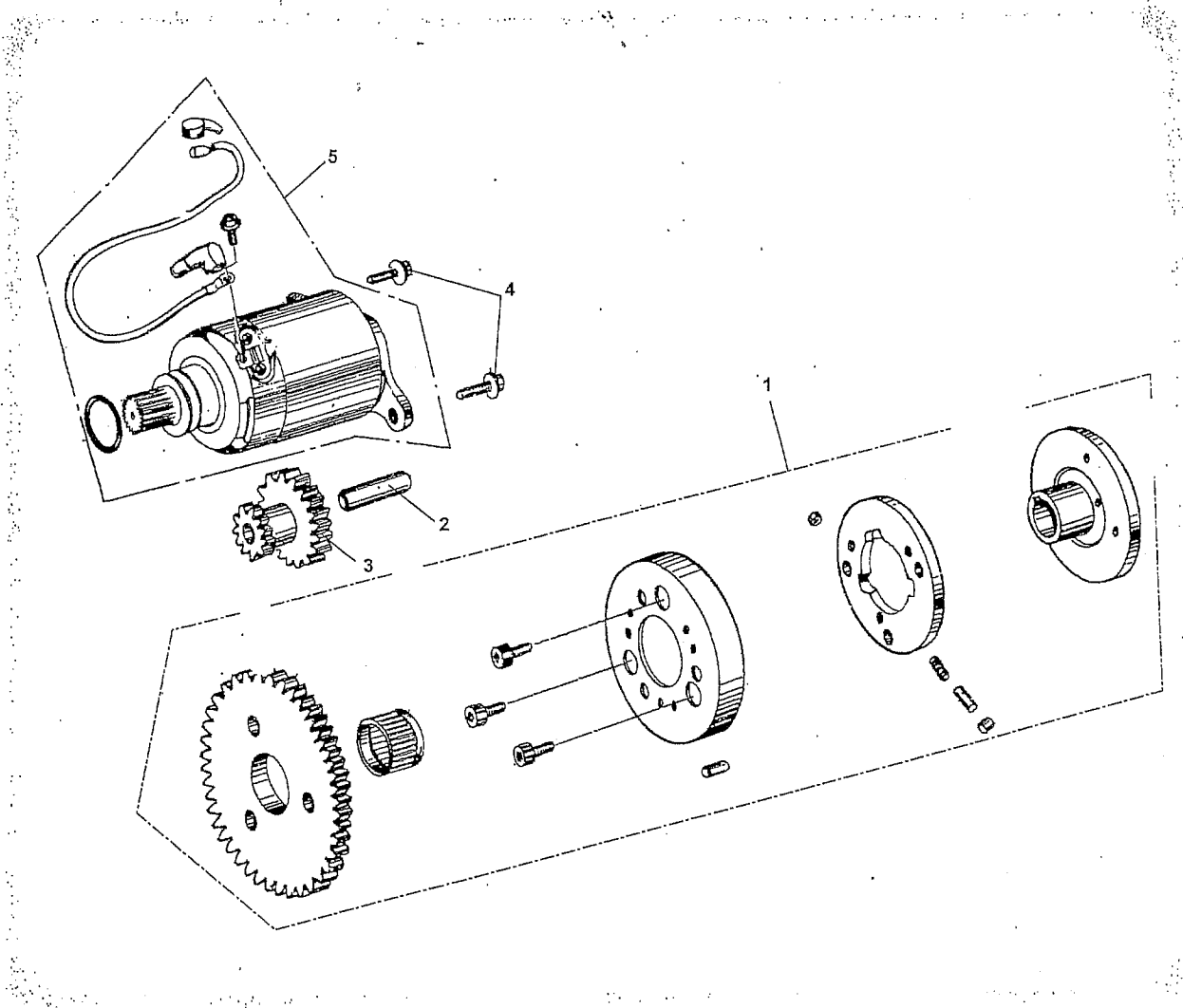
TRANSMISSION ASSY.			
REF NO.	PART NO.	DESCRIPTION	REGD NO.
1	M150-1040001	COVER TRANSMISSION	1
2	M150-1041000	GASKET TRANSMISSION COVER	1
3	91004-E6203-KAT	BEARING RADIAL BALL E6203	1
4	91004-E6202-KAT	BEARING RADIAL BALL E6202	1
5	91004-E6204-KAT	BEARING RADIAL BALL E6204	1
6	M150-1040008	BOLT SPECIAL M8X12	2
7	M150-1040002	WASHER Ø8	1
8	M150-1042000	OIL SEAL 20X32X6	1
9	M150-1040004	GEAR FINAL	1
10	94510-20000	CIRCLIP EXTERNAL 20	1
11	M150-1040003	SHAFT FINAL	1
12	M150-1043000	SHAFT COMP. COUNTER	1
13	M150-1040007	NUT COMPRESSOR FLANGE M12	1
14	M150-1040005	WASHER Ø12	1
15	M150-1040006	SHAFT DRIVE	1

ELECTRIC SYSTEM



ELECTRIC SYSTEM			
REF NO.	PART NO.	DESCRIPTION	REGD NO.
1	M150-1051200	STATOR COMP.	1
2	M150-1051100	FLYWHEEL COMP.	1
3	M150-1051100-3	FAN COMP COOLING	1
4	M150-1051100-4	BOLT FLANGE M6x18	4

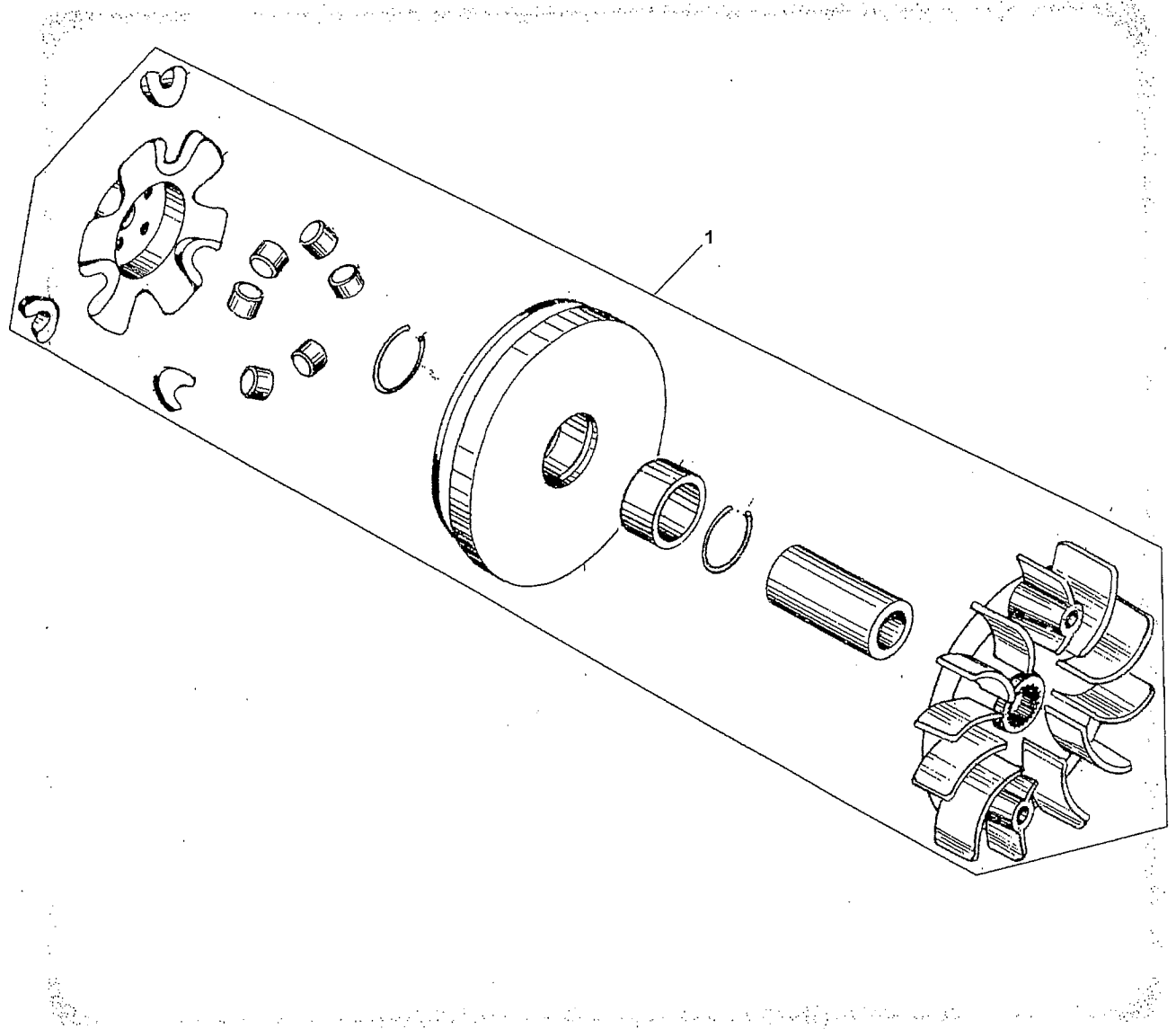
ELECTRIC STARTER ASSY.



ELECTRIC STARTER ASSY.

REF NO.	PART NO.	DESCRIPTION	REGD NO.
1	M150-1060001	FLANGE STARTING CLUTCH	1
2	M150-1060002	SHAFT STARTER REDUCTION GEAR	1
3	M150-1060003	GEAR STARTER REDUCTION	1
4	M150-1060005	BOLT FLANGE M6X16	2
5	M150-1064000	MOTOR ASSY. STARTER	1

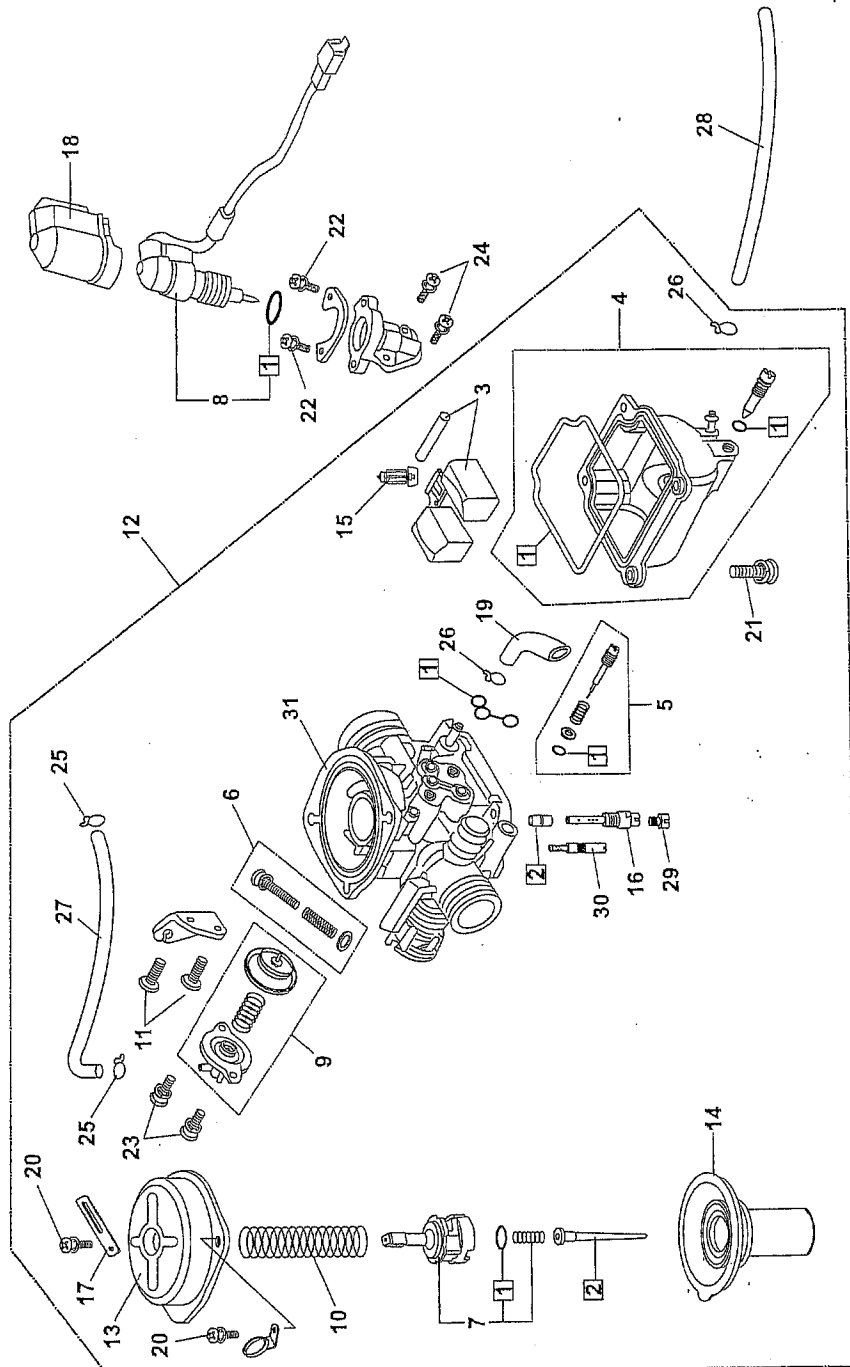
DRIVE PULLEY SUBASSY.



DRIVE PULLEY SUBASSY.			
REF NO.	PART NO.	DESCRIPTION	REGD NO.
1	M150-1071000	PULLEY ASSY. MOVABLE DRIVE	1

FIG. 15

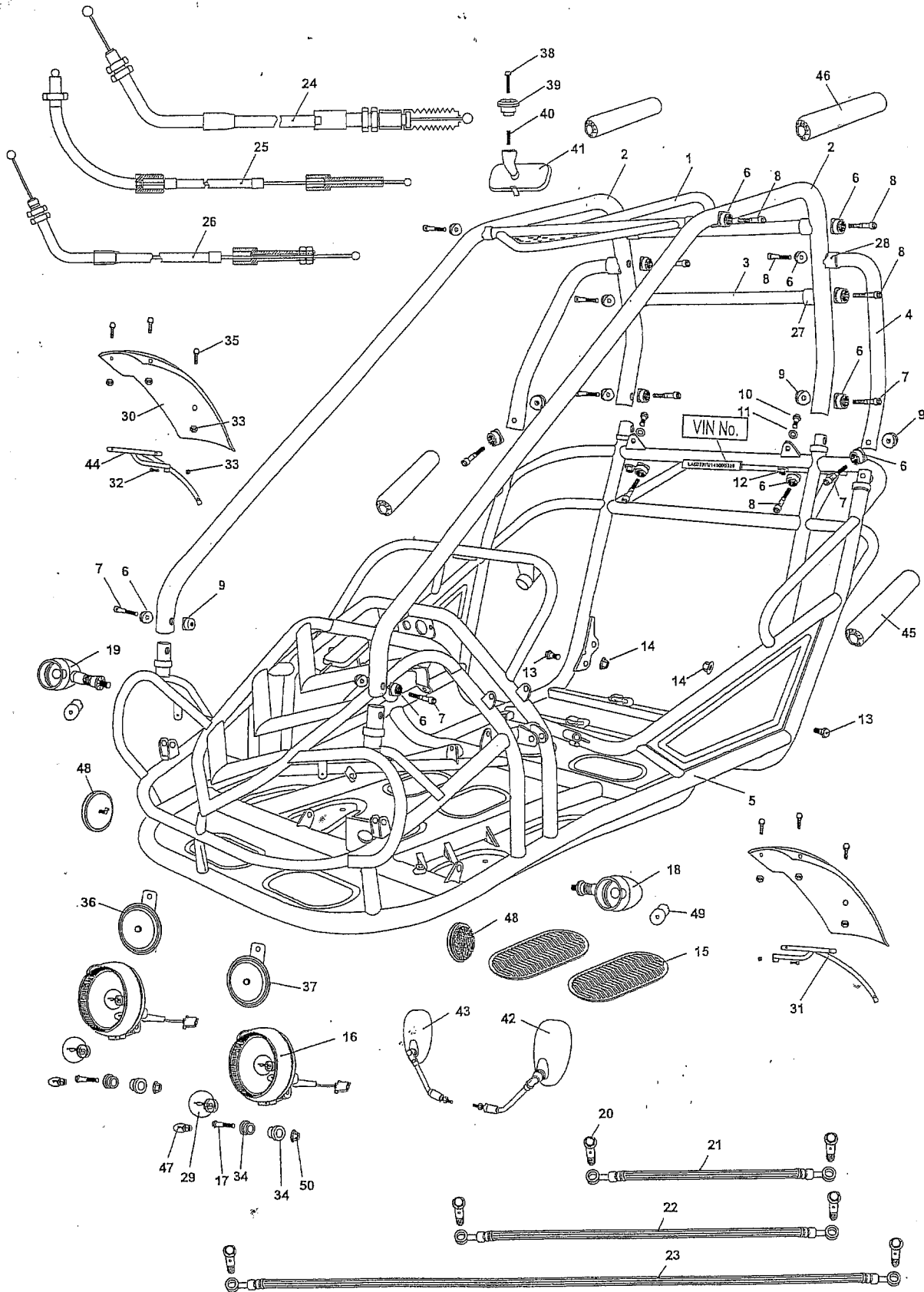
CARBURETOR



CARBURETOR			
REF NO.	PART NO.	DESCRIPTION	REGD NO.
1	16010-KAT-901	GASKET SET A	1
2	16012-KAT-903	NEEDLE SET. JET	1
3	16013-KAT-904	FLOAT SET	1
4	16015-KAT-905	CHAMBER SET. FLOAT	1
5	16016-KAT-906	SCREW SET A	1
6	16028-KAT-907	SCREW SET B	1
7	16037-KAT-908	PLATE SET. VALVE	1
8	16046-KAT-909	BYSTARTER ASSY., AUTO	1
9	16048-KAT-910	VALVE SET. AIR CUT	1
10	16050-KAT-911	SPRING. COMPRESSION COIL	1
11	16080-KJ9-003	SCREW. PAN M5x12	1
12	16100-KAT-913	CARBURETOR ASSY.	2
13	16107-KAT-914	TOP	1
14	16111-KAT-915	PISTON COMP., VACUUM	1
15	16155-KAT-902	VALVE COMP. FLOAT	1
16	16165-KAT-916	HOLDER. NEEDLE JET	1
17	16179-KAB-670	BINDER	1
18	16190-GJ2-004	CAP. HOLDER	1
19	95005-45270-50	TUBE	1
20	93500-04008	SCREW, PAN, M4x8	1
21	93500-04014-1H	SCREW, PAN, M4x14	2
22	93892-04008-18	SCREW-WASHER, M4x8	4
23	93892-04010-18	SCREW-WASHER, M4x10	2
24	93892-05012-18	SCREW-WASHER, M5x12	2
25	95002-02079	CLIP, TUBE (B7)	2
26	95002-02089	CLIP, TUBE (B8)	2
27	95005-35200-21	TUBE, 3.5x210	2
28	16199-GT8-600	TUBE	1
29	99101-GHB-0112	JET, MAIN 112#	1
30	99103-GY6-0350	JET, SLOW 35#	1
31	16100-KAT-923	CARBURETOR BODY	1

FIG. 16

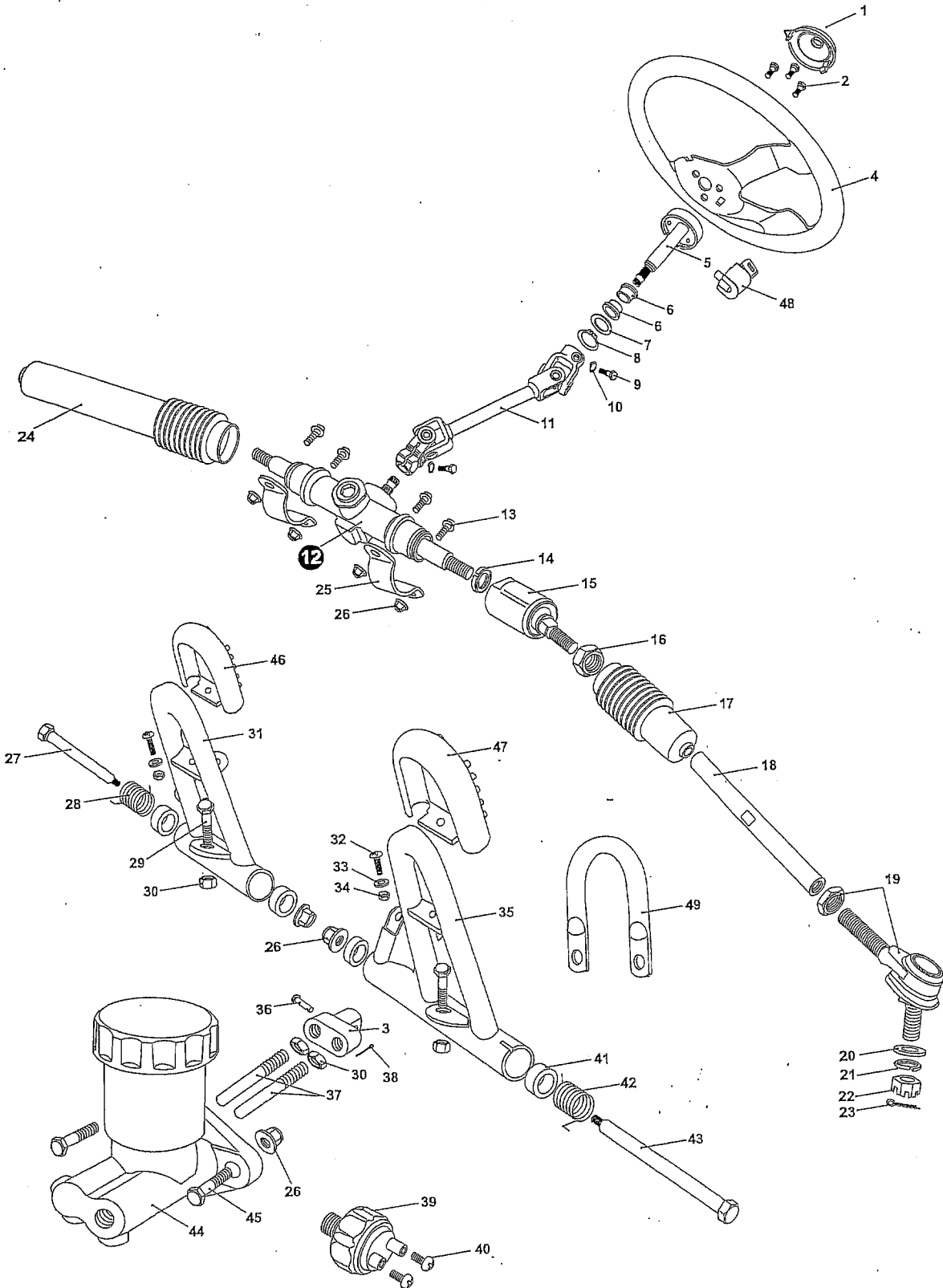
FRAME GROUP



FRAME GROUP			
REF NO.	PART NO.	DESCRIPTION	REGD NO.
1	6.000.061	BRUSH GUARD CROSS BAR. FR (B. G. R.)	1
2	8.070.034	BRUSH GUARD BAR. (B. G. R.)	2
3	8.080.033	BRUSH GUARD CROSS BAR. RR (B. G. R.)	1
4	8.070.035	BRUSH GUARD BAR. L. R. SIDE (B. G. R.)	2
5	2.000.026	FRAME COMP (B. G. R.)	1
6	7.010.049	WASHER CAP	16
7	9.108.050N	SOCKET BOLT M8x1.25x50	6
8	9.908.055N	SOCKET BOLT M8x1.25x55	10
9	7.010.050	NUT. CAP M8	6
10	9.700.001	BOLT. SPECIAL M7/16"x28	2
11	9.700.002	WASHER. BELT \varnothing 12	2
12	9.700.003	NUT. BELT M7/16"	2
13	9.112.025	BOLT-WASHER M12x1.25x25	2
14	9.220.012	LOCK FLANGE NUT. M12	2
15	7.020.012	FOOT PLATE. RUBBER	4
16	6.000.104	HEADLIGHT UNIT	2
17	9.108.050	BOLT-WASHER M8x1.25x50	2
18	6.000.155	LIGHT ASSY. L. FR. WINKER	1
19	6.000.156	LIGHT ASSY. R. FR. WINKER	1
20	9.700.004	BOLT. BANJO M10x24	6
21	6.000.089	HOSE ASSY. L. BRAKE 34"	1
22	6.000.090	HOSE ASSY. R. BRAKE 43"	1
23	6.000.091	HOSE ASSY. RR. BRAKE 75"	1
24	6.000.034	CABLE COMP. THROTTLE	1
25	6.000.040	CABLE COMP. REVERSE	1
26	6.000.050	CABLE COMP. PARKING BRAKE	1
27	7.010.017	TUBE SEAT \varnothing 25	6
28	7.010.016	TUBE SEAT \varnothing 32	2
29	9.090.003	BULB. HEADLIGHT 35W/35W 12V	2
30	7.010.034	FENDER. FR	2
31	6.000.067	BRACKET. FRONT FENDER. L	1
32	9.100.640	BOLT M6x40	2
33	9.210.006	LOCK FLANGE NUT. M6	8
34	7.020.049	RUBBER MOUNT. HEADLIGHT	4
35	9.106.014	BOLT-WASHER M6x14	6
36	6.000.135	HORN. H	1
37	6.000.136	HORN. L	1
38	9.100.525	BOLT M5x25	1
39	8.010.086	MOUNT. REAR MIRROR	1
40	8.040.005	REAR VIEW MIRROR SPRING.	1
41	6.000.084	REAR MIRROR ASSY.	1
42	6.000.137	MIRROR ASSY. L. BACK	1
43	7.020.138	MIRROR ASSY. R. BACK	1
44	6.000.102	BRACKET. FRONT FENDER. R	1
45	6.000.083	FOAM PADDING-1	2
46	6.000.116	FOAM PADDING-2	2
47	9.000.004	BULB. POSITION LIGHT 3W 12V	2
48	6.000.114	FRONT REFLECTOR	2
49	9.090.006	BULB.WINKER 10W 12V	2
50	9.220.008	LOCK FLANGE NUT. M8	2

FIG. 17

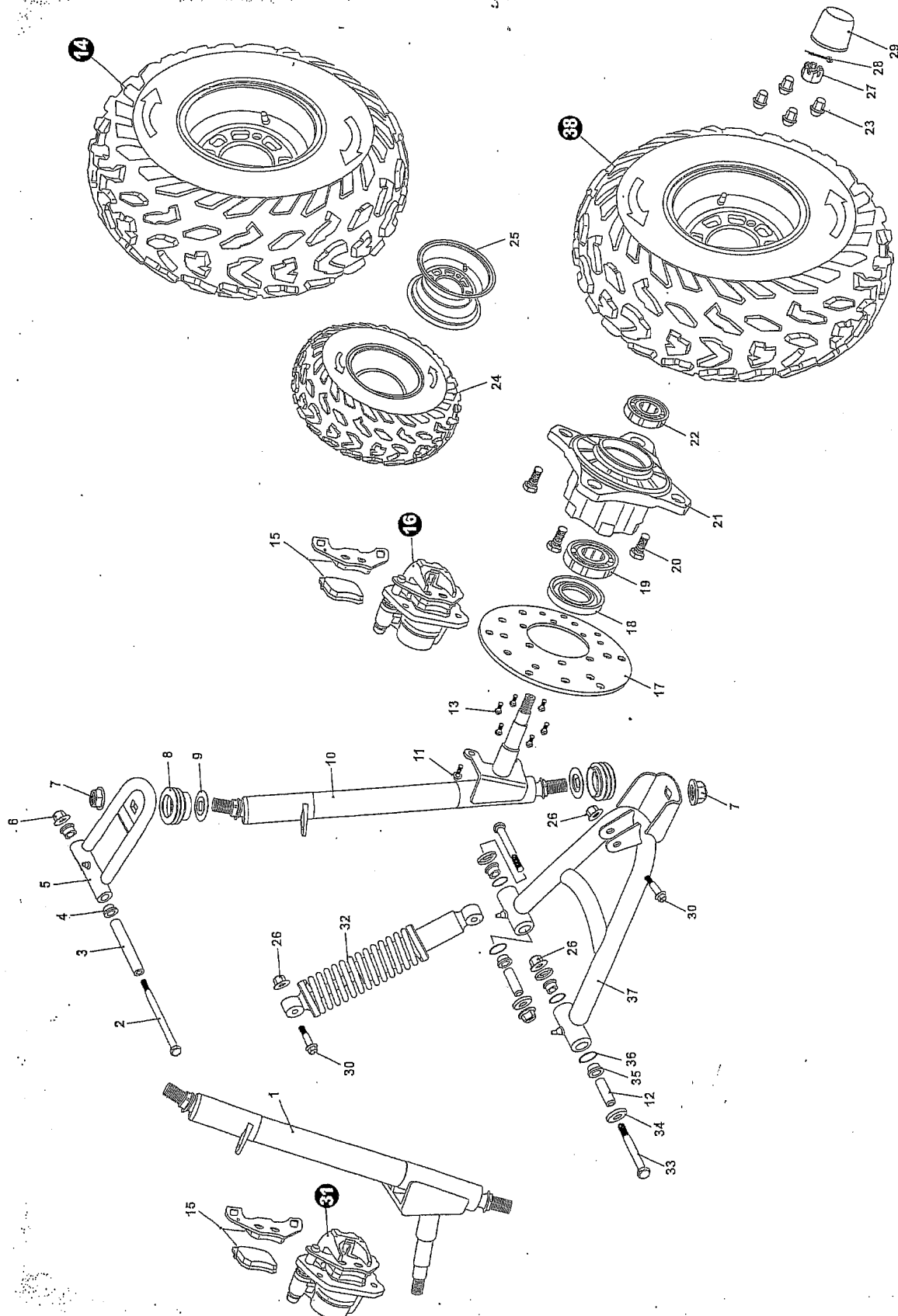
STEERING SHAFT ASSY.



STEERING SHAFT ASSY.			
REF NO.	PART NO.	DESCRIPTION	REGD NO.
1	7.010.041	COVER. STEERING BOLT	1
2	9.100.612	BOLT STRAP M6x12	3
3	8.030.024	BRACKET. SPINDLE	1
4	7.020.038	STEERING WHEEL	1
5	6.000.122	STEERING SHAFT	1
6	7.010.026	BUSH. STEERING SHAFT	2
7	9.700.020	WASHER. SPECIAL Ø20	1
8	9.700.120	CIRCLIP Ø20	1
9	9.100.825	BOLT M8x25	2
10	9.400.008	WASHER. LOCK Ø8	2
11	6.000.093	STEERING KNUCKLE	1
12	4.000.014	STEERING GEAR	1
13	9.108.025	BOLT-WASHER M8x1.25x25	4
14	9.900.016	ROUND NUT M16x1.5	2
15	4.000.008	STEERING BALL JOINT	2
16	9.200.010	NUT M10	2
17	7.020.002	DUST COVER. L. BALL JOINT	1
18	8.010.071	TIE ROD	2
19	6.000.062	ROD END	2
20	9.300.010	WASHER. FLAT Ø10	2
21	9.400.010	WASHER. LOCK Ø10	2
22	9.800.010	CASTLE NUT. M10	2
23	9.500.215	COTTER PIN. Ø2x15	2
24	7.020.202	DUST COVER. R. BALL JOINT	1
25	8.020.014	BRACKET. STEERING GEAR	2
26	9.220.008	LOCK FLANGE NUT. M8	8
27	9.708.145	BOLT. THROTTLE PEDAL M8x1.25x145	1
28	8.040.001	SPRING. THROTTLE PEDAL RETURN. L	1
29	9.108.040	BOLT-WASHER M8x1.25x40	2
30	9.200.008	NUT M8	2
31	4.000.016	THROTTLE PEDAL COMP.	1
32	9.600.515	SCREW. PAN M5x15	2
33	9.300.005	WASHER. FLAT Ø5	2
34	9.210.005	NYLON LOCK NUT M5	2
35	4.000.015	BRAKE PEDAL COMP	1
36	9.700.624	PIN. 6x24	1
37	8.010.081	PIN. SPINDLE	2
38	9.500.212	COTTER PIN. 2X12	1
39	6.000.063	SWITCH ASS'Y. BRAKE LAMP	1
40	9.600.306	SCREW. PAN M3x6	2
41	7.010.004	BUSH. PEDAL	4
42	8.040.007	SPRING. BRAKE PEDAL RETURN. R	1
43	9.708.222	BOLT. BRAKE PEDAL M8x1.25x222	1
44	6.000.076	MASTER CYLINDER	1
45	9.108.035	BOLT-WASHER M8x1.25x35	2
46	7.020.036	PEDAL PAD. THROTTLE	1
47	7.020.037	PEDAL PAD. BRAKER	1
48	6.000.134	STEERING WHEEL LOCK	1
49	8.070.044	MASTER CYLINDER BRACKET.	1

FIG. 18

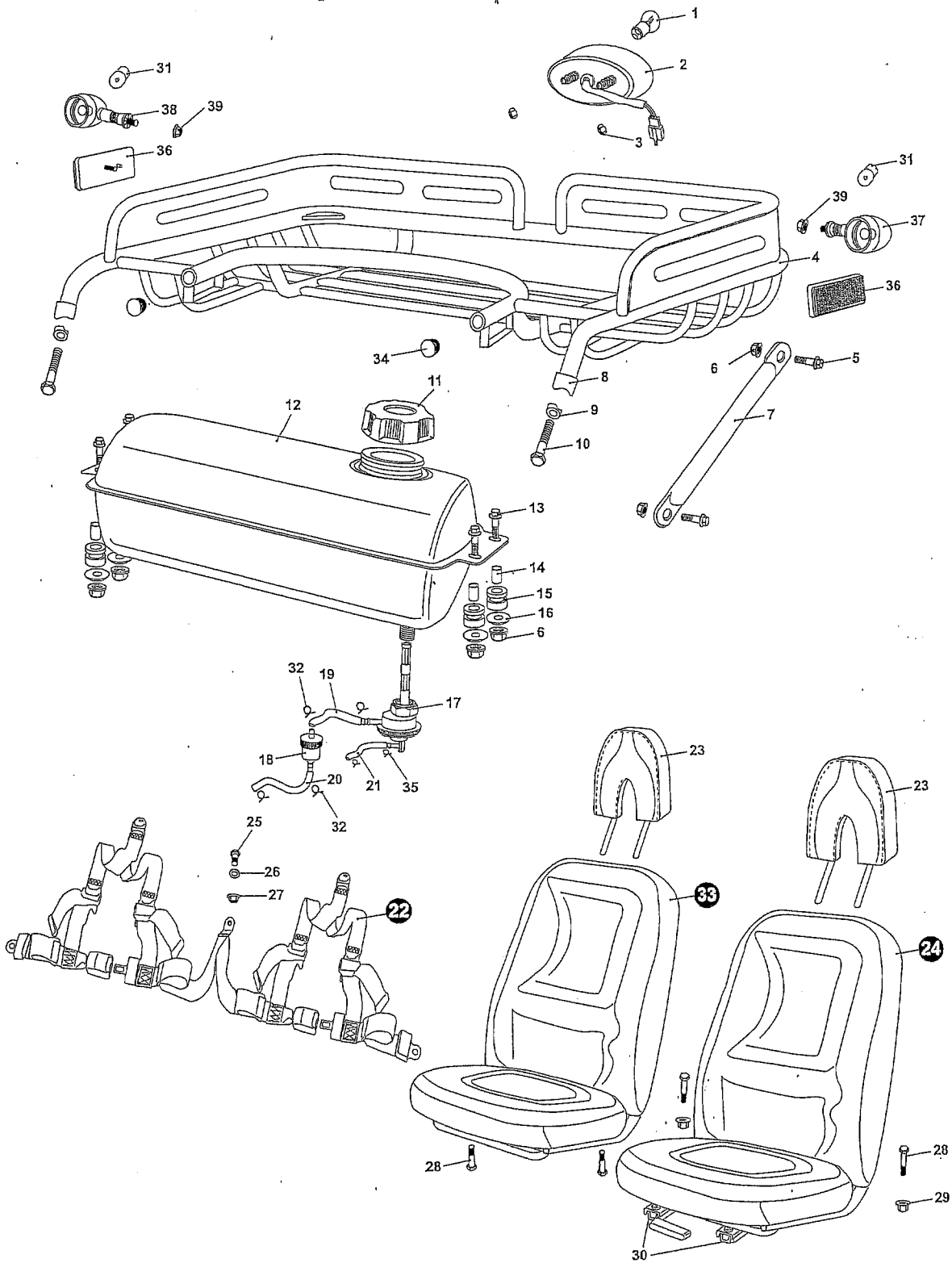
SUSPENSION ARM ASSY.



SUSPENSION ARM ASSY.			
REF NO.	PART NO.	DESCRIPTION	REGD NO.
1	2.000.028	SUPPORT. STRUT AND SPINDLE. R	1
2	9.108.105	BOLT-WASHER M8x1.25x105	2
3	8.010.015	COLLAR. UPPER SUSPENSION ARM	2
4	7.010.003	BUSH. UPPER SUSPENSION ARM	4
5	4.000.004	UPPER SUSPENSION ARM	2
6	9.220.008	LOCK FLANGE NUT. M8	2
7	9.220.012	LOCK FLANGE NUT M12	4
8	7.020.025	DUST SEAL. BALL HEAD	4
9	8.020.053	SPACER. BALL HEAD	4
10	2.000.027	SUPPORT. STRUT AND SPINDLE. L	1
11	9.908.014	BOLT STRAP M8x14	4
12	8.010.014	COLLAR. LOWER SUSPENSION ARM	4
13	9.906.012	BOLT STRAP M6x12	12
14	6.000.141	FR. WHEEL ASSY. R 20x7-8	1
15	7.020.016	PAD SET. FR. BRAKE CALIPER	2
16	6.000.028	FRONT BRAKE CALIPER. L	1
17	8.010.054	DISC. FR. BRAKE	2
18	9.040.002	DUST SEAL 47x25-7	2
19	9.030.002	BEARING 6204	2
20	9.710.031	BOLT. TIRE M10x1.25x31	8
21	8.010.085	HUB. FR. WHEEL	2
22	9.030.003-2Z	BEARING 6203-2Z	2
23	8.010.118	LUG NUT. CAP M10	8
24	7.020.050	TIRE. FR 20x7-8	2
25	6.000.142	RIM. FR	2
26	9.220.010	LOCKING FLANGE NUT. M10	16
27	9.800.012	CASTLE NUT. M12	2
28	9.500.220	COTTER PIN. \varnothing 2x20	2
29	7.020.039	COVER. FR. HUB	2
30	9.110.040	BOLT-WASHER M10x1.25x40	4
31	6.000.095	FRONT BRAKE CALIPER. R	1
32	6.000.325	CUSHION ASSY. FR L=325	2
33	9.110.080	BOLT-WASHER M10x1.25x80	4
34	8.020.034	DUST CAP. LOWER SUSPENSION ARM	8
35	7.010.002	BUSH. LOWER SUSPENSION ARM	8
36	9.040.001	O-RING \varnothing 21.2x2.65	8
37	4.000.023	LOWER SUSPENSION ARM ASS'Y.	2
38	6.000.140	FR. WHEEL ASSY. L 20x7-8	1

FIG. 19

REAR CARGO RACK/SEAT/BELT



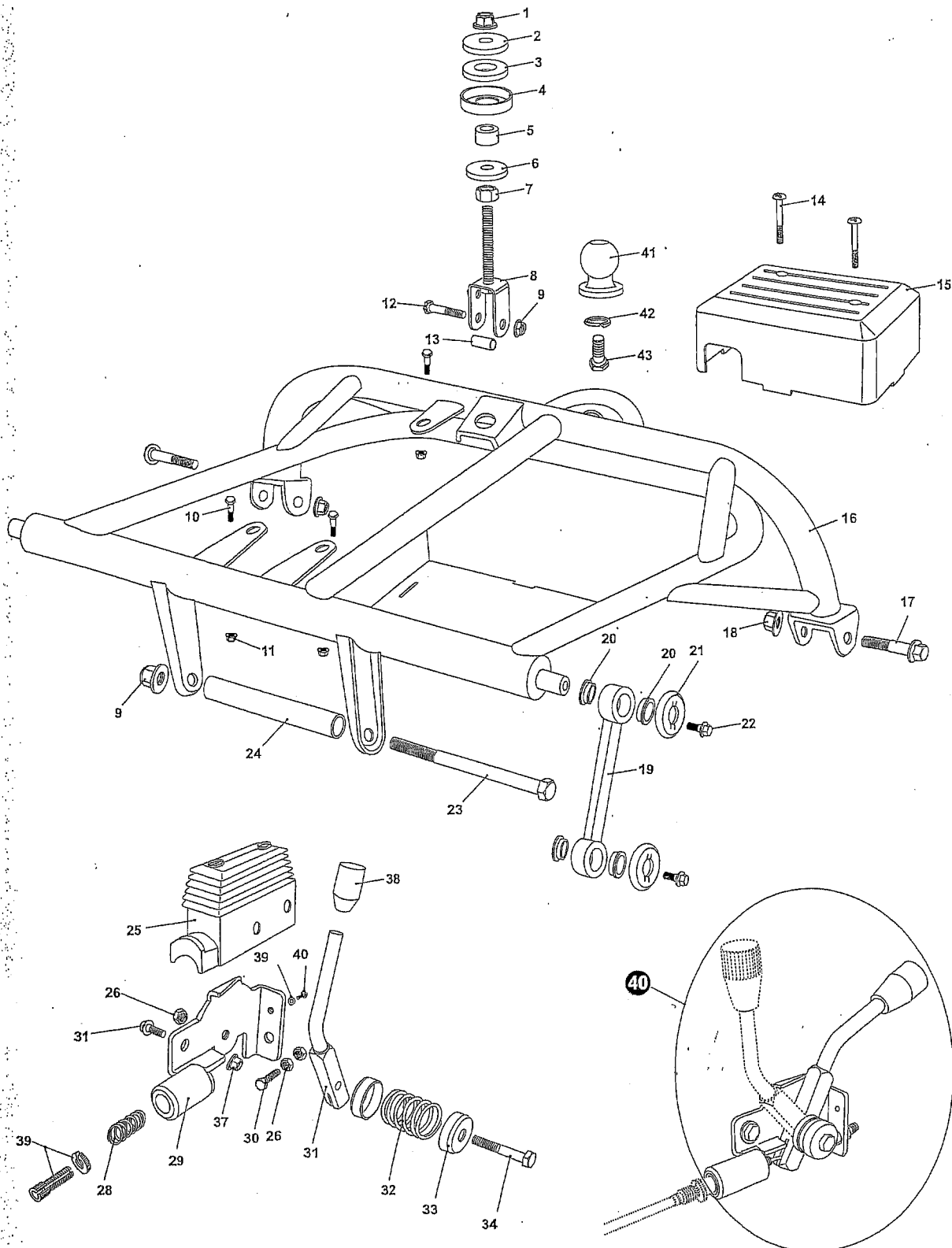
PARTS MANUAL

REAR CARGO RACK/SEAT/BELT

REF NO.	PART NO.	DESCRIPTION	REGD NO.
1	9.090.005	BULB. TAIL LIGHT 21W/5W 12V	1
2	6.000.144	TAIL LIGHT	1
3	9.210.006	LOCK NYLON NUT. M6	2
4	2.000.025	REAR CARGO RACK (B. G. R.)	1
5	9.108.020	BOLT-WASHER M8x1.25x20	4
6	9.220.008	LOCK FLANGE NUT. M8	8
7	8.080.029	RACK SUPPORT ARM (B. G. R.)	2
8	7.010.016	TUBE SEAT Ø32	2
9	8.010.047	R-WASHER	2
10	9.908.055	BOLT STRAP M8x1.25x55	2
11	6.000.145	CAP COMP. FUEL FILLER	1
12	4.000.017	TANK COMP. FUEL (B. G. B.)	1
13	9.108.025	BOLT-WASHER M8x1.25x25	4
14	8.010.034	COLLAR. TANK COMP.	4
15	7.020.005	RUBBER MOUNT	4
16	9.300.008	WASHER FLAT Ø8	4
17	6.000.046	COCK ASS'Y. FUEL AUTO	1
18	6.000.056	GAS FILTER	1
19	7.020.030	TUBE COMP. FUEL #1	1
20	7.020.029	TUBE COMP. FUEL #2	1
21	7.020.031	TUBE COMP. VACUUM	1
22	6.000.146	SAFETY BELT.	1
23	6.000.094	HEAD-REST	2
24	6.000.081	SEAT COMP. L	1
25	9.700.001	BOLT. SPECIAL M7/16"x28	1
26	9.700.002	WASHER. BELT Ø12	1
27	9.700.003	NUT. BELT M7/16"	1
28	9.900.840	BOLT STRAP M8x1.25x40	2
29	9.220.008	LOCK FLANGE NUT. M8	2
30	6.000.057	RAIL SET. SEAT	1
31	9.090.006	BULB. WINKER 10W 12V	2
32	8.040.009	CLIP. FUEL TUBE	1
33	6.000.082	SEAT COMP. R	1
34	7.020.032	COVER. TUBE	2
35	8.040.008	CLIP. VACUUM TUBE	2
36	6.000.111	REAR SIDE REFLECTOR	2
37	6.000.155	LIGHT ASSY. L. RR. WINKER	1
38	6.000.156	LIGHT ASSY. R. RR. WINKER	1
39	9.320.010	LOCK NYLON NUT. M10	2

FIG. 20

REAR SWING ARM ASSY. UPPER



REAR SWING ARM ASS'Y. UPPER			
REF NO.	PART NO.	DESCRIPTION	REGD NO.
1	9.220.012	LOCK FLANGE NUT. M12	1
2	8.010.042	WASHER. ENGINE MOUNT LINK	1
3	7.020.001	CUSHION. ENGINE MOUNT LINK	1
4	8.020.045	SPACER. ENGINE MOUNT LINK	1
5	8.010.041	COLLAR. ENGINE MOUNT LINK	1
6	9.300.012	WASHER. FLAT Ø12	1
7	9.200.012	NUT M12	1
8	6.000.026	ENGINE MOUNT BOLT PLATE	1
9	9.220.010	LOCK FLANGE NUT. M10	1
10	9.106.022	BOLT-WASHER M6x22	3
11	9.210.008	LOCK NYLON NUT. M6	3
12	9.110.045	BOLT-WASHER M10x1.25x45	1
13	8.010.076	COLLAR. ENGINE MOUNT BOLT PLATE	1
14	9.600.655	SCREW. PAN M6x55	2
15	7.010.029	COVER. ELECTRIC ASS'Y.	1
16	2.000.029	REAR SWING ARM ASS'Y. UPPER	1
17	9.112.060	BOLT-WASHER M12x1.25x60	2
18	9.220.012	LOCK FLANGE NUT. M12	2
19	8.030.001	SWING ARM DOG BONE	2
20	7.010.008	BUSH. CON' ROD	8
21	8.020.013	SPACER. CON' ROD	4
22	9.108.016	BOLT-WASHER M8x1.25x16	4
23	9.710.195	BOLT-WASHER M10x1.25x195	1
24	8.010.025	COLLAR. ENGINE MOUNT	1
25	7.020.024	COVER. REVERSE LEVER	2
26	9.210.008	LOCK NYLON NUT. M8	6
27	9.108.020	BOLT-WASHER M8x1.25x20	2
28	8.040.004	SPRING. CABLE	2
29	6.000.064	BRACKET. LEVER	2
30	9.100.830	BOLT M8x30	1
31	6.000.065	LEVER. REVERSE, PARKING BRAKE	2
32	8.040.003	SPRING. LEVER	2
33	8.020.082	SPACER. LEVER	4
34	9.108.040	BOLT-WASHER M8x1.25x40	2
35	9.300.005	WASHER FLAT Ø5	2
36	9.600.512	SCREW. PAN M5x12	2
37	9.220.008	LOCK FLANGE NUT. M8	4
38	7.020.026	COVER. LEVER. GREEN / BLACK	2
39	6.000.051	ROD ADJUSTING. CABLE	2
40	6.000.042	PARKING BRAKE/REVERSE LEVER ASS'Y.	2
41	8.010.084	TOW BALL	1
42	9.400.018	WASHER LOOK Ø18	1
43	9.118.040	BOLT M18x40	1

FIG.21

ENGINE/MUFFLER/AIR CLEANER

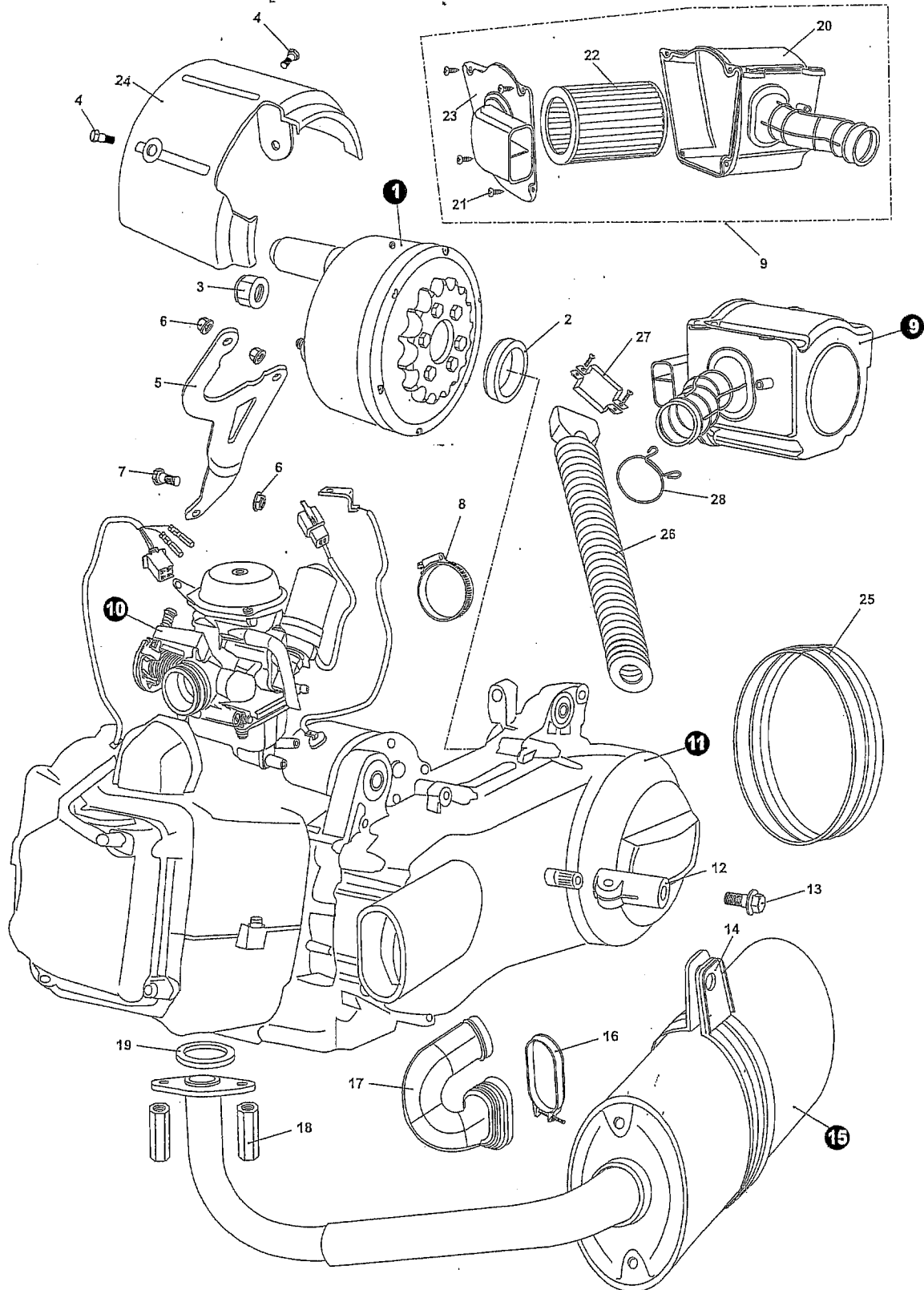
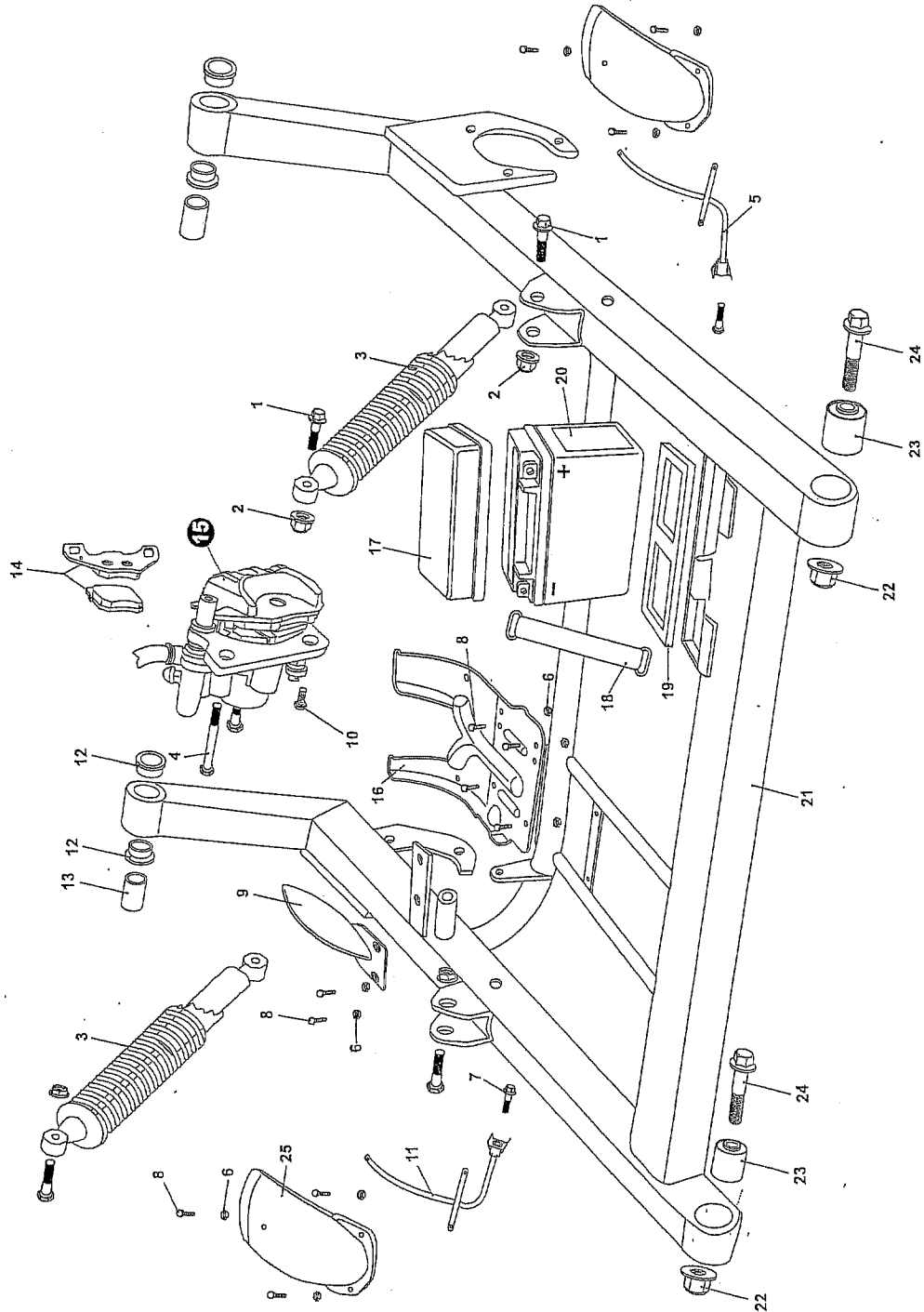


FIG. 22

REAR SWING ARM



REAR SWING ARM			
REF NO.	PART NO.	DESCRIPTION	REGD NO.
1	9.110.040	BOLT-WASHER M10x1.25x40	4
2	9.220.010	LOCK FLANGE NUT. M10	4
3	6.000.006	CUSHION ASS'Y. RR	2
4	9.908.100	BOLT STRAP M8x1.25x100	1
5	6.000.101	BRACKET. REAR FENDER. L	1
6	9.210.006	LOCK NYLON NUT. M6	12
7	9.108.045	BOLT-WASHER M8x1.25x45	2
8	9.906.016	BOLT-WASHER M6x16	12
9	7.010.031	COVER. DISC. RR	1
10	9.908.012	BOLT STRAP M8x1.25x12	1
11	6.000.068	BRACKET. REAR FENDER. R	1
12	7.010.006	BUSH. SWING ARM	4
13	8.010.028	COLLAR. SWING ARM	2
14	7.020.022	PAD SET. RR. BRAKE	1
15	6.000.229	CALIPER ASS'Y. RR	1
16	7.010.032	GUARD. CHAIN. DISC	1
17	7.010.028	COVER. BATTERY	1
18	7.020.023	BAND. BATTERY	1
19	7.020.020	CUSHION. BATTERY LOWER	1
20	6.000.085	BATTERY (YTX12-BS)	1
21	2.000.202	RR. SWING ARM COMP. LOWER	1
22	9.220.012	LOCK FLANGE NUT. M12	2
23	7.020.008	CUSHION BUSH. SWING ARM	2
24	9.112.060	BOLT-WASHER M12x1.25x60	2
25	7.010.034	FENDER. RR	2

FIG. 23

REAR HOUSING

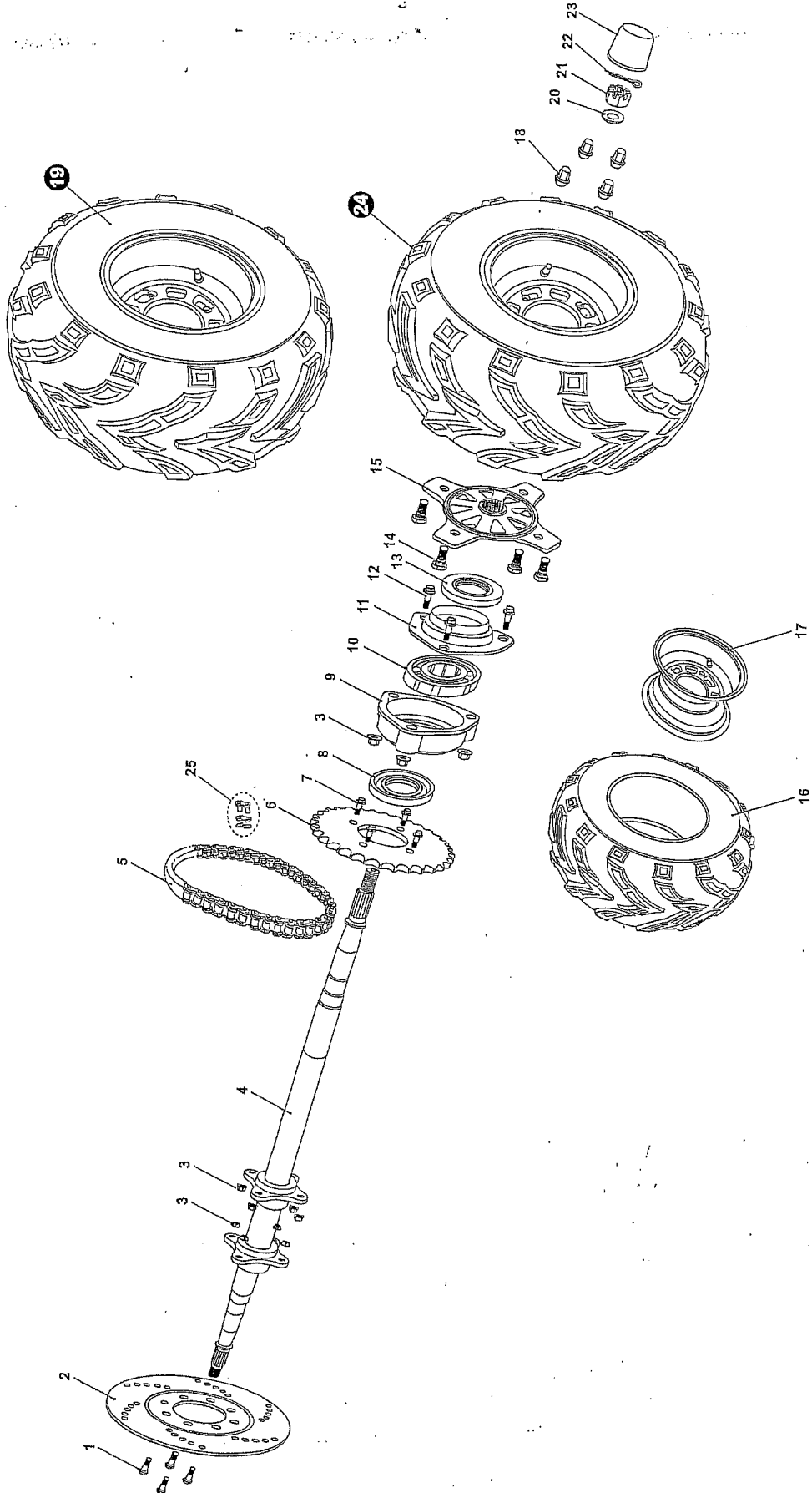
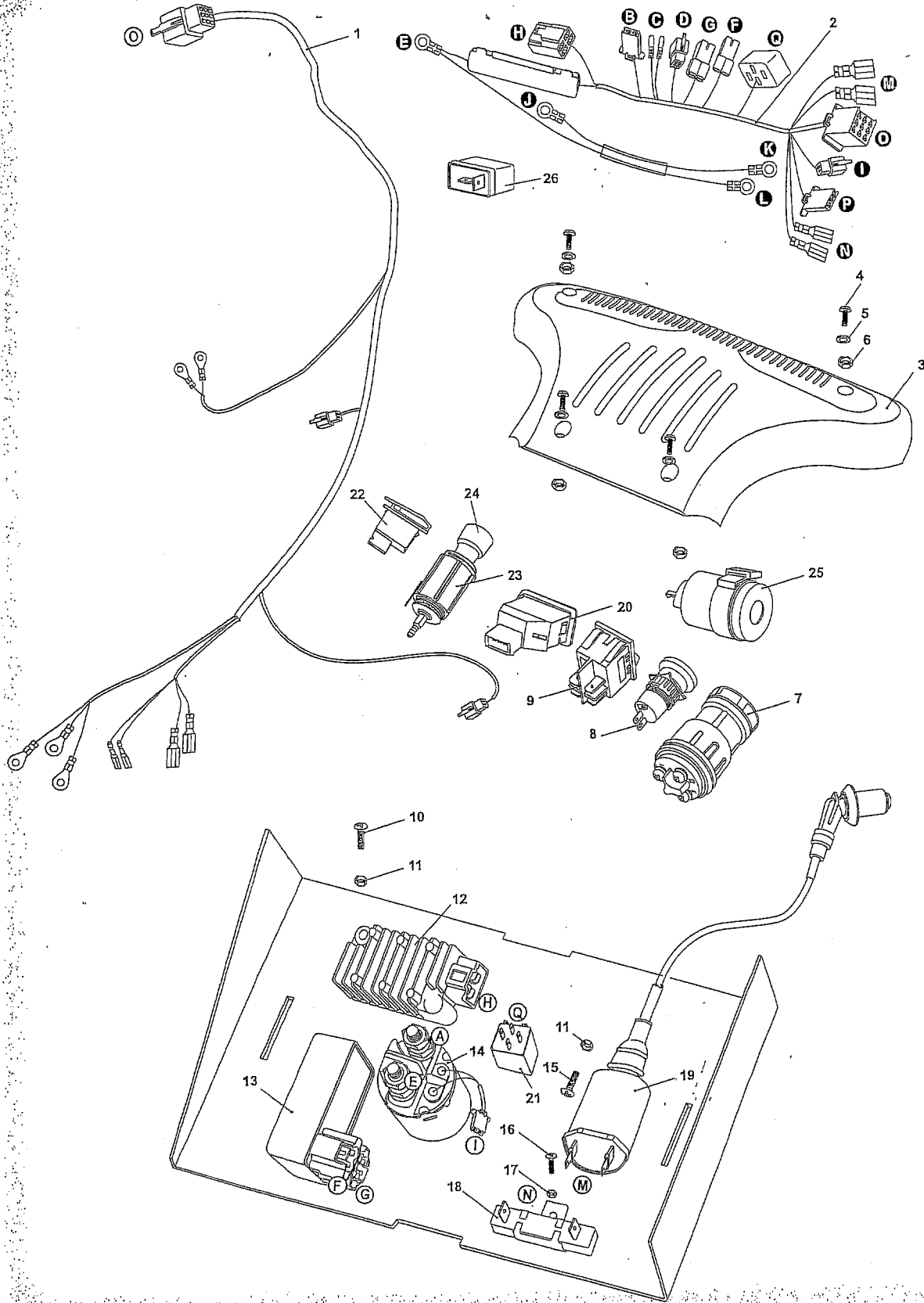


FIG. 24

WIRE HARNESS/ELECTRICAL

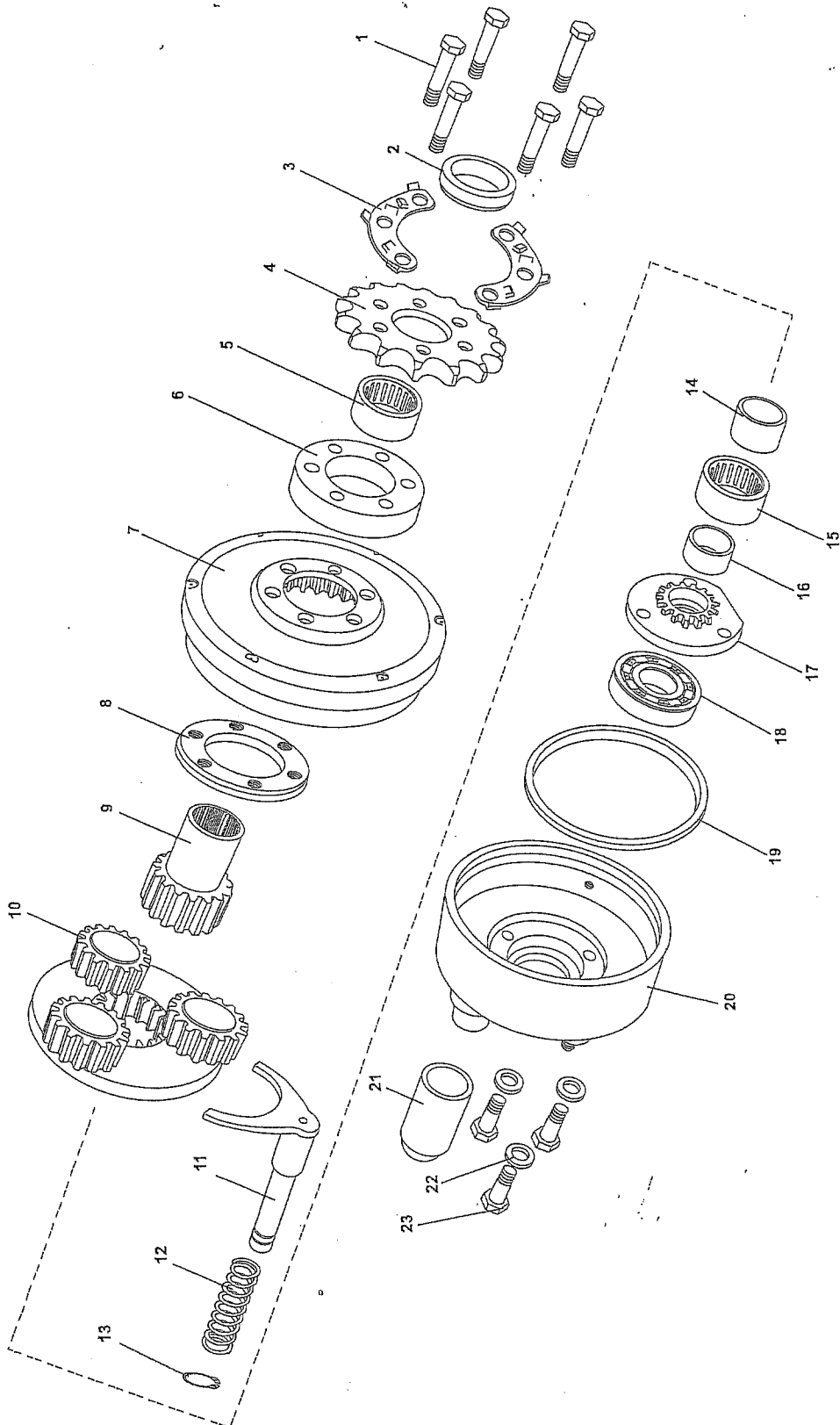


WIRE HARNESS/ELECTRICAL

REF NO.	PART NO.	DESCRIPTION	REGD NO.
1	6.000.118	HARNES. WIRE	1
2	6.000.119	SOCKET COMP	1
3	7.010.038	SWITCH PANEL COVER.	1
4	9.600.615	SCREW. PAN M6x15	4
5	9.300.006	WASHER $\varnothing 6$	4
6	9.210.005	LOCK NYLON NUT M6	2
7	6.000.158	IGNITION START SWITCH	1
8	6.000.159	ENGINE STOP BUTTON	1
9	6.000.160	SWITCH UNIT. DIMMER	1
10	9.100.620	BOLT M6X20	1
11	9.210.006	LOCK NYLON NUT M6	3
12	6.000.124	RECTIFIER COMP. REGULATE	1
13	6.000.125	UNIT COMP. C.D.I	1
14	6.000.035	STARTING RELAY	1
15	9.600.525	SCREW. PAN M5X25	1
16	9.600.410	SCREW. PAN M4x10	1
17	9.210.004	LOCK NYLON NUT M4	1
18	6.000.038	RESISTOR COMP 10W 10 Ω	1
19	6.000.126	COIL COMP. IGNITION	1
20	6.000.113	SWITCH UNIT. WINKER	1
21	6.000.072	CONTROL RELAY	1
22	6.000.079	HORN SWITCH	1
23	6.000.087	POWER OUTLET	1
24	7.020.051	POWER OUTLET COVER	1
25	6.000.153	RELAY COMP. AUDIBLE PILOT & WINKER	1
26	6.000.161	DIODE	2

FIG. 25

REVERSE ASSY.



WARNING STICKERS



WARNING STICKERS

REF NO.	PART NO.	DESCRIPTION	REGD NO.
1	9.090.007	LABEL. PARKING BRAKE	1
2	9.090.008	LABEL. REVERSE LEVER	1
3	9.090.009	LABEL. CHAIN GUARD	1
4	9.090.010	LABEL. NO LONG HAIR	1
5	9.090.011	LABEL. WARNING	1
6	9.090.012	LABEL. NO CLIMBING	1
7	9.090.013	LABEL. WARNING	1
8	9.090.014	LABEL. SEAT BELT	1
9	9.090.015	LABEL. HAMMERHEAD FR	1
10	9.090.016	LABEL. TWISTER	3
11	9.090.017	LABEL. WARNING	1